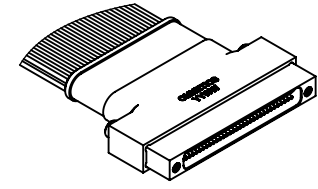
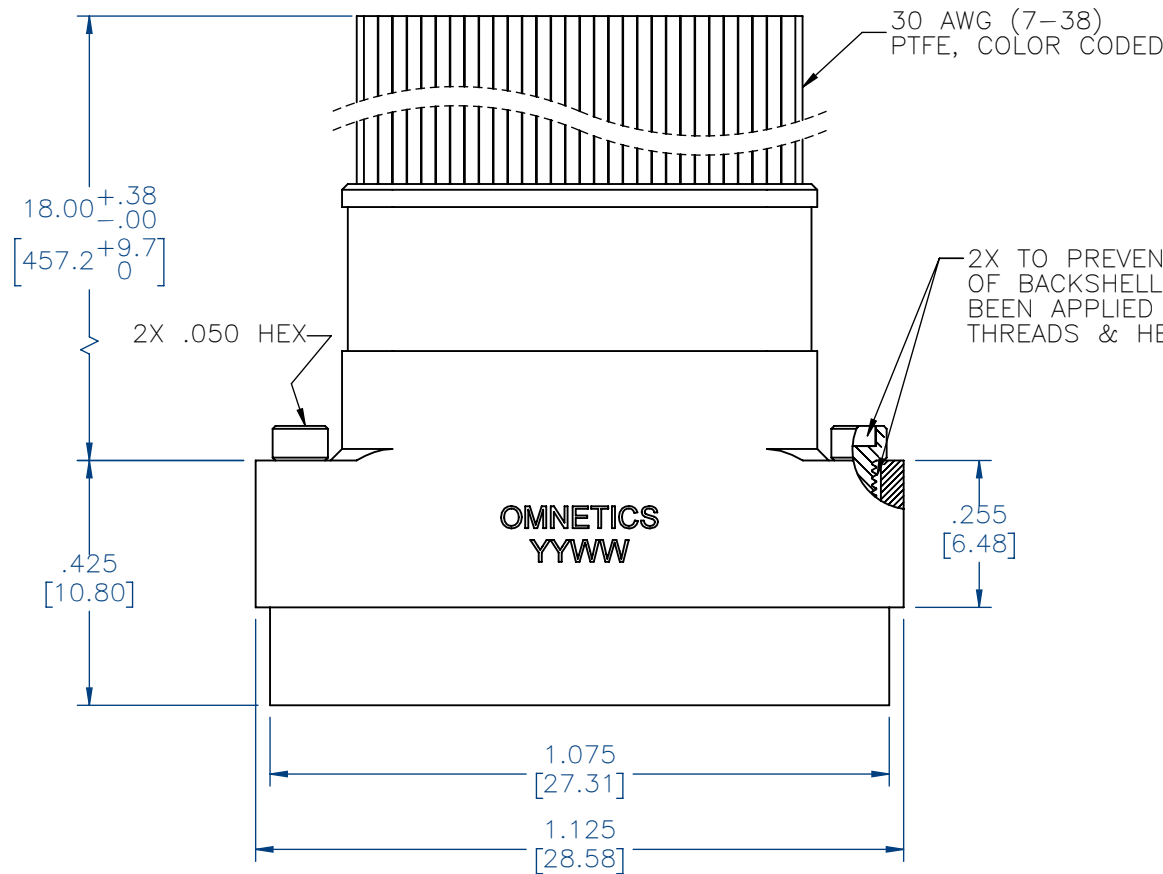


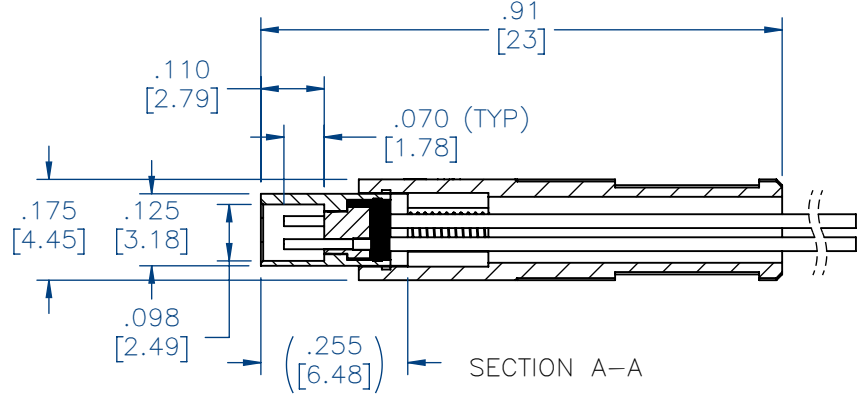
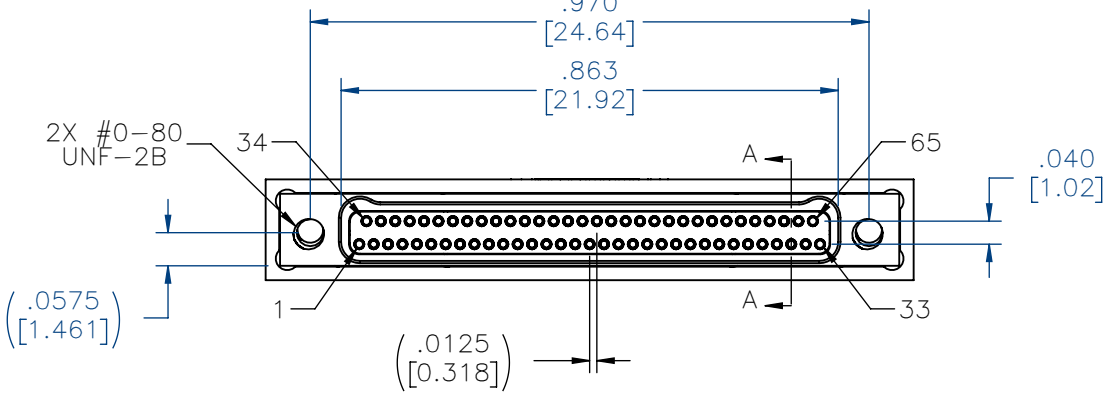
PART NO.	A29111-065	REV	ECO	DATE	APP
		B	106954	01-06-2021	ARJ



ACTUAL SIZE EXCLUDING WIRE LENGTH

SOCKET #	COLOR
1, 11, 21, 31, 41, 51, 61	BLACK
2, 12, 22, 32, 42, 52, 62	BROWN
3, 13, 23, 33, 43, 53, 63	RED
4, 14, 24, 34, 44, 54, 64	ORANGE
5, 15, 25, 35, 45, 55, 65	YELLOW
6, 16, 26, 36, 46, 56	GREEN
7, 17, 27, 37, 47, 57	BLUE
8, 18, 28, 38, 48, 58	VIOLET
9, 19, 29, 39, 49, 59	GRAY
10, 20, 30, 40, 50, 60	WHITE

INTERNAL USE ONLY
USE MFG LOADING
PROCEDURE A29000-065



NOTE:
DIMENSIONS IN [] ARE IN MILLIMETERS UNLESS OTHERWISE NOTED AND ARE FOR REFERENCE ONLY

MNSW SLDW	THIRD ANGLE
	-TOLERANCES-
	UNLESS OTHERWISE NOTED
	DIMENSIONS IN INCHES
2	PL DEC ± .01
3	PL DEC ± .005
4	PL DEC ± .0005
	ANGLES ± 1°

THIS DRAWING CONTAINS CONFIDENTIAL AND PROPRIETARY INFORMATION WHICH IS THE PROPERTY OF OMNETICS CONNECTOR CORP. THIS DOCUMENT MAY NOT, IN WHOLE OR IN PART, BE DUPLICATED, OR DISCLOSED FOR ANY PURPOSE, WITHOUT WRITTEN PERMISSION FROM OMNETICS CONNECTOR CORP.	
DFTM. HV	DATE 03-05-18
CHK'D.	DATE
APP'D.	DATE
TITLE: (65) SOCKET FEMALE Bi-Lobe® CONNECTOR W/ BACKSHELL	

OMNETICS
CONNECTOR CORPORATION
7260 COMMERCE CIRCLE EAST
MINNEAPOLIS, MN 55432
WWW.OMNETICS.COM

CAGE CODE 61873
DWG NO. A29111-065
SHEET 1 OF 2
SCALE: 3:1
REV B

PART NO.	A29111-065	REV	ECO	DATE	APP
		B	106954	01-06-2021	ARJ

MATERIALS & SPECIFICATIONS

HOUSING & BACKSHELL:
 ALUMINUM 6061, NICKEL PLATE (500
 MICROINCHES MINIMUM) PER SAE-AMS-2404

INSULATOR:
 LIQUID CRYSTAL POLYMER (LCP) PER ASTM
 D5138

CONTACT:
 COPPER ALLOY PER MIL-DTL-32139, GOLD
 PLATED PER ASTM B488, (HARD GOLD) TYPE II
 CODE C CLASS 1.27

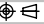
WIRE:
 NEMA HP3 TYPE ET, COLOR CODED IAW MIL-
 STD-681, SYSTEM 1, USING TEN SOLID
 REPEATING COLORS

HARDWARE:
 18-8 STAINLESS STEEL

CURRENT RATING:
 1 AMP MAX PER MIL-DTL-32139

CONTACT RESISTANCE:
 71 MILLIOHM MAX (71mV DROP MAX) @ 1.0
 AMPS PER MIL-DTL-32139

PERFORMANCE:
 PRODUCT FAMILY TESTED TO AND PASSED THE
 PERFORMANCE SPECIFICATIONS OF TABLE VIII OF
 MIL-DTL-32139

MNSO	THIRD ANGLE 	THIS DRAWING CONTAINS CONFIDENTIAL AND PROPRIETARY INFORMATION WHICH IS THE PROPERTY OF OMNETICS CONNECTOR CORP. THIS DOCUMENT MAY NOT, IN WHOLE OR IN PART, BE DUPLICATED, OR DISCLOSED FOR ANY PURPOSE, WITHOUT WRITTEN PERMISSION FROM OMNETICS CONNECTOR CORP.		OMNETICS CONNECTOR CORPORATION 7260 COMMERCE CIRCLE EAST MINNEAPOLIS, MN 55432 WWW.OMNETICS.COM	CAGE CODE 61873	
	-TOLERANCES- UNLESS OTHERWISE NOTED	DFTM. HV	DATE 03-05-18		TITLE: (65) SOCKET FEMALE Bi-Lobe® CONNECTOR W/ BACKSHELL	DWG NO. A29111-065
SLDW	DIMENSIONS IN INCHES	CHK'D.	DATE		SHEET 2 OF 2	SCALE: 3:1
	2 PL DEC± .01	APP'D.	DATE			
	3 PL DEC± .005					
	4 PL DEC± .0005					
	ANGLES ± 1°					