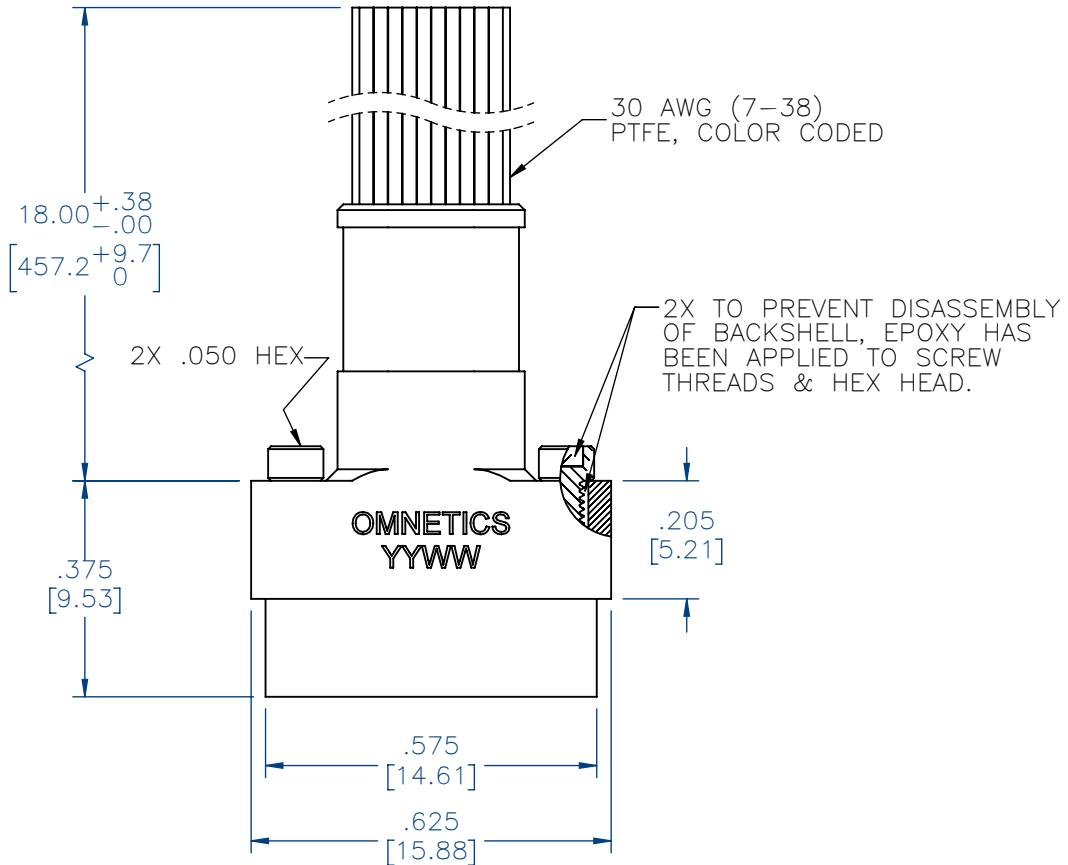
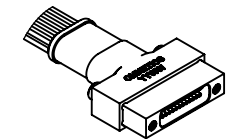


|          |            |     |        |            |     |
|----------|------------|-----|--------|------------|-----|
| PART NO. | A29111-025 | REV | ECO    | DATE       | APP |
|          |            | B   | 106954 | 01-06-2021 | ARJ |

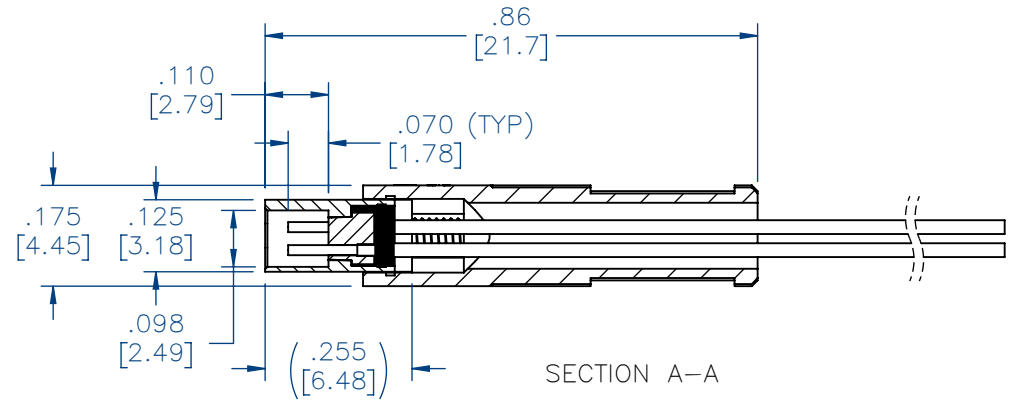
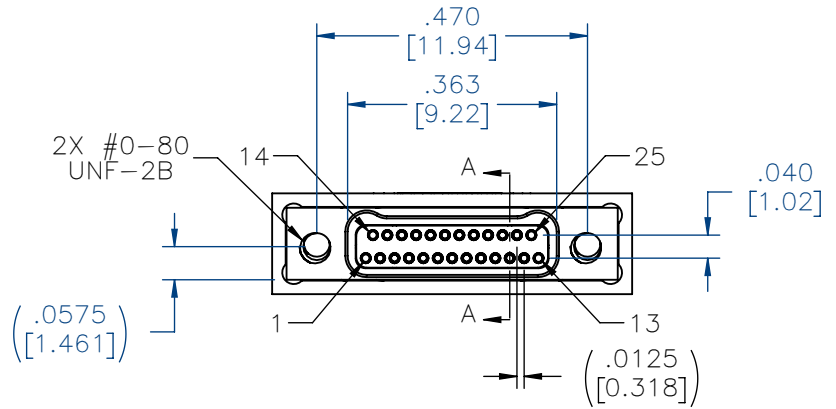


| SOCKET #  | COLOR  |
|-----------|--------|
| 1, 11, 21 | BLACK  |
| 2, 12, 22 | BROWN  |
| 3, 13, 23 | RED    |
| 4, 14, 24 | ORANGE |
| 5, 15, 25 | YELLOW |
| 6, 16     | GREEN  |
| 7, 17     | BLUE   |
| 8, 18     | VIOLET |
| 9, 19     | GRAY   |
| 10, 20    | WHITE  |



ACTUAL SIZE EXCLUDING WIRE LENGTH

INTERNAL USE ONLY  
USE MFG LOADING  
PROCEDURE A29000-025



NOTE:  
DIMENSIONS IN [ ] ARE IN MILLIMETERS UNLESS OTHERWISE NOTED AND ARE FOR REFERENCE ONLY

|          |                        |
|----------|------------------------|
| MGT/SLDW | THIRD ANGLE            |
|          | -TOLERANCES-           |
|          | UNLESS OTHERWISE NOTED |
|          | DIMENSIONS IN INCHES   |
| 2        | PL DEC ± .01           |
| 3        | PL DEC ± .005          |
| 4        | PL DEC ± .0005         |
|          | ANGLES ± 1°            |

|  |               |
|--|---------------|
| THIS DRAWING CONTAINS CONFIDENTIAL AND PROPRIETARY INFORMATION WHICH IS THE PROPERTY OF OMNETICS CONNECTOR CORP. THIS DOCUMENT MAY NOT, IN WHOLE OR IN PART, BE DUPLICATED, OR DISCLOSED FOR ANY PURPOSE, WITHOUT WRITTEN PERMISSION FROM OMNETICS CONNECTOR CORP. |               |
| DFTM. HV   | DATE 03-05-18 |
| CHK'D.   | DATE          |
| APP'D.   | DATE          |
| TITLE:<br>(25) SOCKET FEMALE<br>Bi-Lobe® CONNECTOR<br>W/ BACKSHELL   |               |

**OMNETICS**  
CONNECTOR CORPORATION  
7260 COMMERCE CIRCLE EAST  
MINNEAPOLIS, MN 55432  
WWW.OMNETICS.COM

|                    |
|--------------------|
| CAGE CODE 61873    |
| DWG NO. A29111-025 |
| SHEET 1 OF 2       |
| SCALE: 3:1         |
| REV B              |

|          |            |     |        |            |     |
|----------|------------|-----|--------|------------|-----|
| PART NO. | A29111-025 | REV | ECO    | DATE       | APP |
|          |            | B   | 106954 | 01-06-2021 | ARJ |

MATERIALS & SPECIFICATIONS

HOUSING & BACKSHELL:  
 ALUMINUM 6061, NICKEL PLATE (500  
 MICROINCHES MINIMUM) PER SAE-AMS-2404

INSULATOR:  
 LIQUID CRYSTAL POLYMER (LCP) PER ASTM  
 D5138

CONTACT:  
 COPPER ALLOY PER MIL-DTL-32139, GOLD  
 PLATED PER ASTM B488, (HARD GOLD) TYPE II  
 CODE C CLASS 1.27

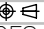
WIRE:  
 NEMA HP3 TYPE ET, COLOR CODED IAW MIL-  
 STD-681, SYSTEM 1, USING TEN SOLID  
 REPEATING COLORS

HARDWARE:  
 18-8 STAINLESS STEEL

CURRENT RATING:  
 1 AMP MAX PER MIL-DTL-32139

CONTACT RESISTANCE:  
 71 MILLIOHM MAX (71mV DROP MAX) @ 1.0  
 AMPS PER MIL-DTL-32139

PERFORMANCE:  
 PRODUCT FAMILY TESTED TO AND PASSED THE  
 PERFORMANCE SPECIFICATIONS OF TABLE VIII OF  
 MIL-DTL-32139

|      |   |  |                  |  |  |
|------|---|--|------------------|--|--|
| MNSO | THIRD ANGLE  | THIS DRAWING CONTAINS CONFIDENTIAL AND PROPRIETARY INFORMATION WHICH IS THE PROPERTY OF OMNETICS CONNECTOR CORP. THIS DOCUMENT MAY NOT, IN WHOLE OR IN PART, BE DUPLICATED, OR DISCLOSED FOR ANY PURPOSE, WITHOUT WRITTEN PERMISSION FROM OMNETICS CONNECTOR CORP. |                  | <b>OMNETICS</b><br>CONNECTOR CORPORATION<br>7260 COMMERCE CIRCLE EAST<br>MINNEAPOLIS, MN 55432<br>WWW.OMNETICS.COM | CAGE CODE <b>61873</b>   |
|      | -TOLERANCES-<br>UNLESS OTHERWISE NOTED  | DFTM. HV   | DATE<br>03-05-18 |  | TITLE:<br>(25) SOCKET FEMALE<br>Bi-Lobe® CONNECTOR<br>W/ BACKSHELL |
| SLDW | DIMENSIONS IN INCHES  | CHK'D.   | DATE             |  | SHEET 2 OF 2   |
|      | 2 PL DEC± .01   | APP'D.   | DATE             |  | REV<br>B   |
|      | 3 PL DEC± .005<br>4 PL DEC± .0005<br>ANGLES ± 1°  |  |                  |  | SCALE: 3:1   |