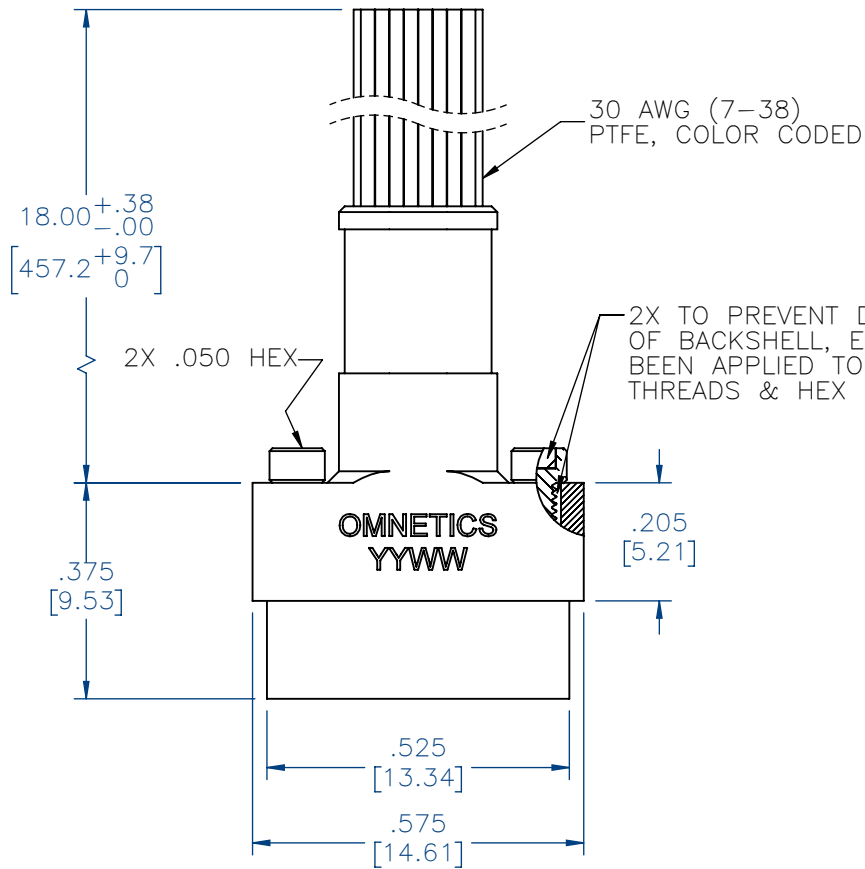
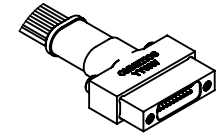


| | | | | | |
|----------|------------|-----|--------|------------|-----|
| PART NO. | A29111-021 | REV | ECO | DATE | APP |
| | | B | 106954 | 01-06-2021 | ARJ |



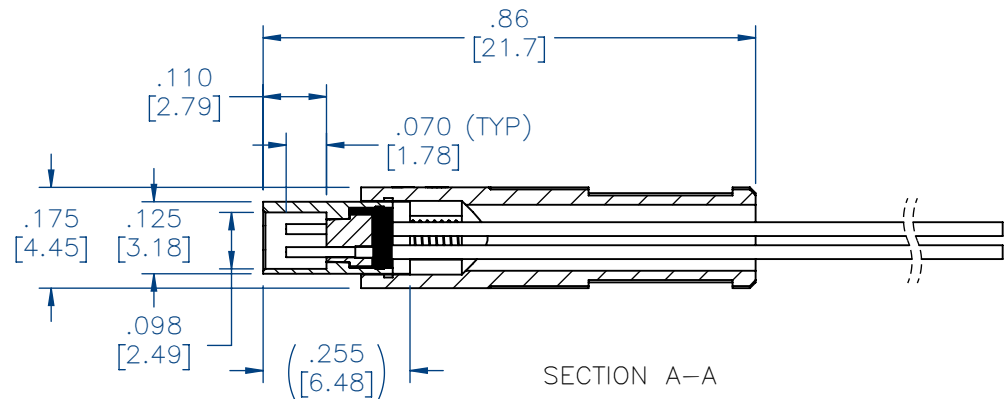
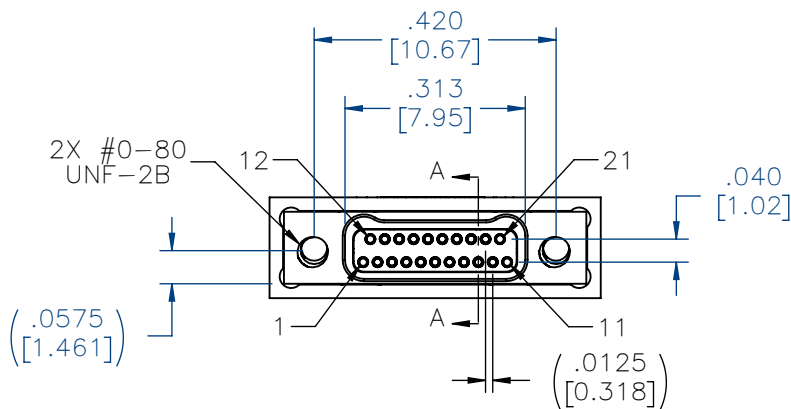
| SOCKET # | COLOR |
|-----------|--------|
| 1, 11, 21 | BLACK |
| 2, 12 | BROWN |
| 3, 13 | RED |
| 4, 14 | ORANGE |
| 5, 15 | YELLOW |
| 6, 16 | GREEN |
| 7, 17 | BLUE |
| 8, 18 | VIOLET |
| 9, 19 | GRAY |
| 10, 20 | WHITE |



ACTUAL SIZE
EXCLUDING WIRE LENGTH

2X TO PREVENT DISASSEMBLY OF BACKSHELL, EPOXY HAS BEEN APPLIED TO SCREW THREADS & HEX HEAD.

INTERNAL USE ONLY
USE MFG LOADING
PROCEDURE A29000-021



NOTE:

DIMENSIONS IN [] ARE IN MILLIMETERS UNLESS OTHERWISE NOTED AND ARE FOR REFERENCE ONLY

| | |
|-------|------------------------|
| MGT'S | THIRD ANGLE |
| | - TOLERANCES - |
| | UNLESS OTHERWISE NOTED |
| | DIMENSIONS IN INCHES |
| 2 | PL DEC ± .01 |
| 3 | PL DEC ± .005 |
| 4 | PL DEC ± .0005 |
| | ANGLES ± 1° |

| | |
|--|---------------|
| THIS DRAWING CONTAINS CONFIDENTIAL AND PROPRIETARY INFORMATION WHICH IS THE PROPERTY OF OMNETICS CONNECTOR CORP. THIS DOCUMENT MAY NOT, IN WHOLE OR IN PART, BE DUPLICATED, OR DISCLOSED FOR ANY PURPOSE, WITHOUT WRITTEN PERMISSION FROM OMNETICS CONNECTOR CORP. | |
| DFTM. HV | DATE 03-05-18 |
| CHK'D. | DATE |
| APP'D. | DATE |
| TITLE: (21) SOCKET FEMALE Bi-Lobe® CONNECTOR W/ BACKSHELL | |

OMNETICS
CONNECTOR CORPORATION
7260 COMMERCE CIRCLE EAST
MINNEAPOLIS, MN 55432
WWW.OMNETICS.COM

| | |
|--------------------|-------|
| CAGE CODE 61873 | |
| DWG NO. A29111-021 | |
| SHEET 1 OF 2 | REV B |
| SCALE: 3:1 | |

| | | | | | |
|----------|------------|-----|--------|------------|-----|
| PART NO. | A29111-021 | REV | ECO | DATE | APP |
| | | B | 106954 | 01-06-2021 | ARJ |

MATERIALS & SPECIFICATIONS

HOUSING & BACKSHELL:
 ALUMINUM 6061, NICKEL PLATE (500
 MICROINCHES MINIMUM) PER SAE-AMS-2404

INSULATOR:
 LIQUID CRYSTAL POLYMER (LCP) PER ASTM
 D5138

CONTACT:
 COPPER ALLOY PER MIL-DTL-32139, GOLD
 PLATED PER ASTM B488, (HARD GOLD) TYPE II
 CODE C CLASS 1.27


WIRE:
 NEMA HP3 TYPE ET, COLOR CODED IAW MIL-
 STD-681, SYSTEM 1, USING TEN SOLID
 REPEATING COLORS

HARDWARE:
 18-8 STAINLESS STEEL

CURRENT RATING:
 1 AMP MAX PER MIL-DTL-32139

CONTACT RESISTANCE:
 71 MILLIOHM MAX (71mV DROP MAX) @ 1.0
 AMPS PER MIL-DTL-32139

PERFORMANCE:
 PRODUCT FAMILY TESTED TO AND PASSED THE
 PERFORMANCE SPECIFICATIONS OF TABLE VIII OF
 MIL-DTL-32139

| | | | | | |
|------|---|--|------------------|--|--|
| MNSO | THIRD ANGLE  | THIS DRAWING CONTAINS CONFIDENTIAL AND PROPRIETARY INFORMATION WHICH IS THE PROPERTY OF OMNETICS CONNECTOR CORP. THIS DOCUMENT MAY NOT, IN WHOLE OR IN PART, BE DUPLICATED, OR DISCLOSED FOR ANY PURPOSE, WITHOUT WRITTEN PERMISSION FROM OMNETICS CONNECTOR CORP. | | OMNETICS CONNECTOR CORPORATION 7260 COMMERCE CIRCLE EAST MINNEAPOLIS, MN 55432 WWW.OMNETICS.COM | CAGE CODE 61873 |
| | -TOLERANCES- UNLESS OTHERWISE NOTED | DFTM. HV | DATE 03-05-18 | | TITLE: (21) SOCKET FEMALE Bi-Lobe® CONNECTOR W/ BACKSHELL |
| SLDW | DIMENSIONS IN INCHES | CHK'D. | DATE | | SHEET 2 OF 2 |
| | 2 PL DEC± .01 | APP'D. | DATE | | REV B |
| | 3 PL DEC± .005 4 PL DEC± .0005 ANGLES ± 1° | | | | SCALE: 3:1 |