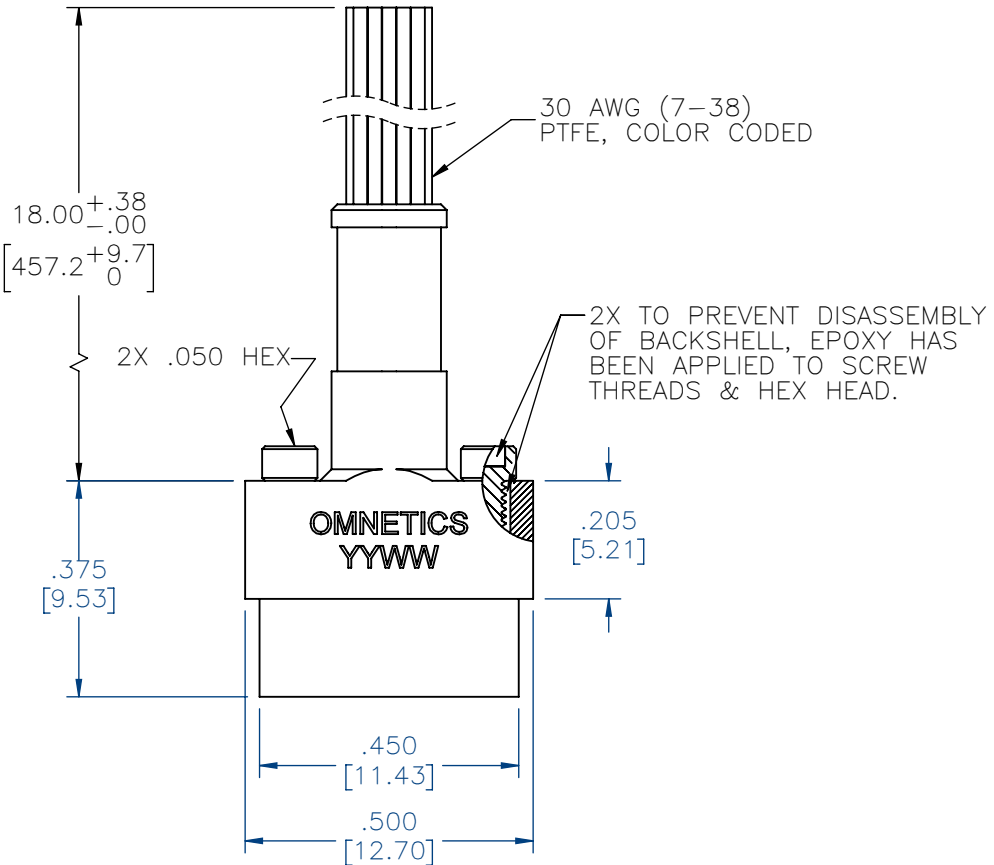
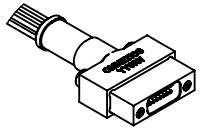


PART NO.	A29111-015	REV	ECO	DATE	APP
		B	106954	01-06-2021	ARJ

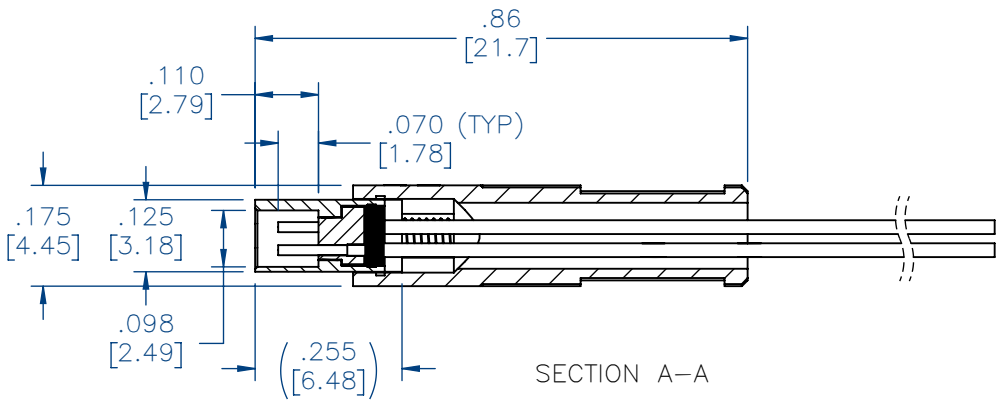
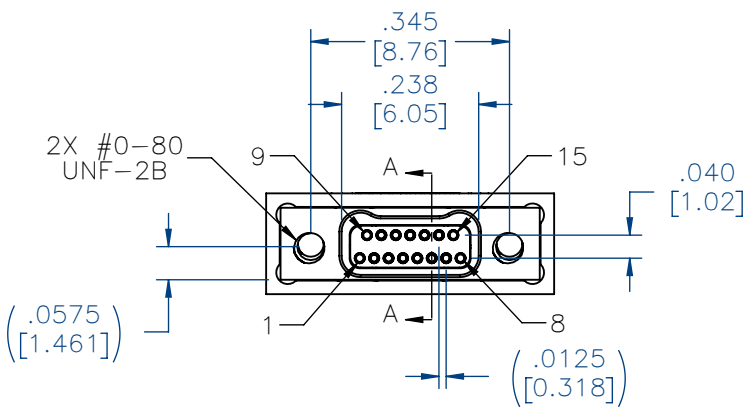


SOCKET #	COLOR
1, 11	BLACK
2, 12	BROWN
3, 13	RED
4, 14	ORANGE
5, 15	YELLOW
6	GREEN
7	BLUE
8	VIOLET
9	GRAY
10	WHITE



ACTUAL SIZE  
EXCLUDING WIRE LENGTH

INTERNAL USE ONLY  
USE MFG LOADING  
PROCEDURE A29000-015



NOTE:  
DIMENSIONS IN [ ] ARE IN MILLIMETERS UNLESS OTHERWISE NOTED AND ARE FOR REFERENCE ONLY

THIRD ANGLE	UNISO	OSNMO
	MCTS	OSNMO

— TOLERANCES —  
UNLESS OTHERWISE NOTED  
DIMENSIONS IN INCHES

2 PL DEC ± .01  
3 PL DEC ± .005  
4 PL DEC ± .0005  
ANGLES ± 1°

THIS DRAWING CONTAINS CONFIDENTIAL AND PROPRIETARY INFORMATION WHICH IS THE PROPERTY OF OMNETICS CONNECTOR CORP. THIS DOCUMENT MAY NOT, IN WHOLE OR IN PART, BE DUPLICATED, OR DISCLOSED FOR ANY PURPOSE, WITHOUT WRITTEN PERMISSION FROM OMNETICS CONNECTOR CORP.

DFTM.	HV	DATE	03-05-18
CHK'D.		DATE	
APP'D.		DATE	

TITLE:  
(15) SOCKET FEMALE  
Bi-Lobe® CONNECTOR  
W/ BACKSHELL

**OMNETICS**  
CONNECTOR CORPORATION  
7260 COMMERCE CIRCLE EAST  
MINNEAPOLIS, MN 55432  
WWW.OMNETICS.COM

CAGE CODE	61873
DWG NO.	A29111-015
SHEET 1 OF 2	REV B
SCALE:	3:1

PART NO.	A29111-015	REV	ECO	DATE	APP
		B	106954	01-06-2021	ARJ

## MATERIALS & SPECIFICATIONS

### HOUSING & BACKSHELL:

ALUMINUM 6061, NICKEL PLATE (500  
MICROINCHES MINIMUM) PER SAE-AMS-2404

### INSULATOR:

LIQUID CRYSTAL POLYMER (LCP) PER ASTM  
D5138

### CONTACT:

COPPER ALLOY PER MIL-DTL-32139, GOLD  
PLATED PER ASTM B488, (HARD GOLD) TYPE II  
CODE C CLASS 1.27

### WIRE:

NEMA HP3 TYPE ET, COLOR CODED IAW MIL-  
STD-681, SYSTEM 1, USING TEN SOLID  
REPEATING COLORS

### HARDWARE:

18-8 STAINLESS STEEL

### CURRENT RATING:

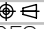

1 AMP MAX PER MIL-DTL-32139

### CONTACT RESISTANCE:

71 MILLIOHM MAX (71mV DROP MAX) @ 1.0  
AMPS PER MIL-DTL-32139

### PERFORMANCE:

PRODUCT FAMILY TESTED TO AND PASSED THE  
PERFORMANCE SPECIFICATIONS OF TABLE VIII OF  
MIL-DTL-32139

MNSO	THIRD ANGLE 	THIS DRAWING CONTAINS CONFIDENTIAL AND PROPRIETARY INFORMATION WHICH IS THE PROPERTY OF OMNETICS CONNECTOR CORP. THIS DOCUMENT MAY NOT, IN WHOLE OR IN PART, BE DUPLICATED, OR DISCLOSED FOR ANY PURPOSE, WITHOUT WRITTEN PERMISSION FROM OMNETICS CONNECTOR CORP.		 <b>CONNECTOR CORPORATION</b> 7260 COMMERCE CIRCLE EAST MINNEAPOLIS, MN 55432 WWW.OMNETICS.COM	CAGE CODE <b>61873</b>
	SLDW	-TOLERANCES- UNLESS OTHERWISE NOTED DIMENSIONS IN INCHES 2 PL DEC ± .01 3 PL DEC ± .005 4 PL DEC ± .0005 ANGLES ± 1°	DFTM. HV DATE 03-05-18 CHK'D. DATE APP'D. DATE		TITLE: <b>(15) SOCKET FEMALE          Bi-Lobe® CONNECTOR          W/ BACKSHELL</b>