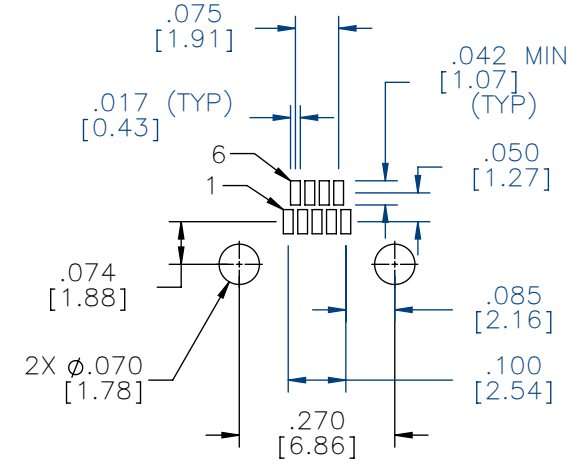
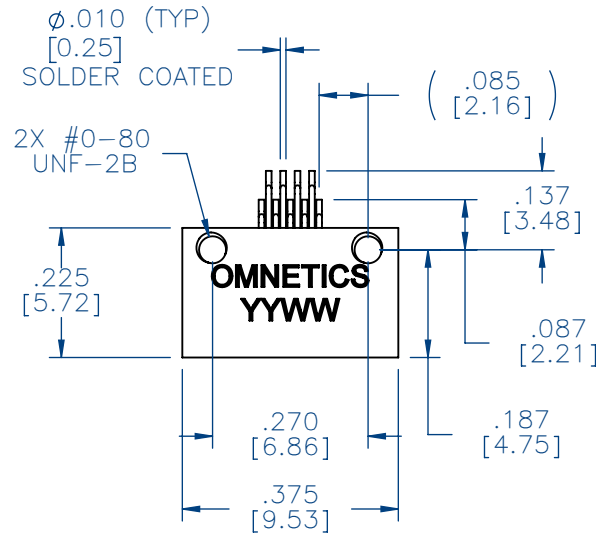


# MATERIALS & SPECIFICATIONS

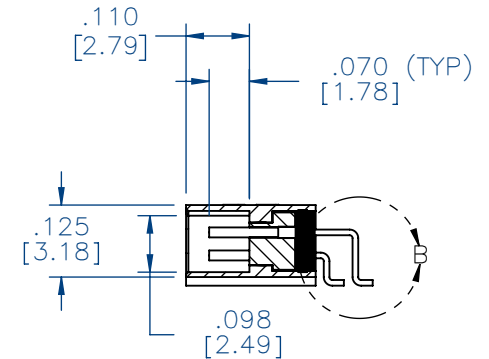
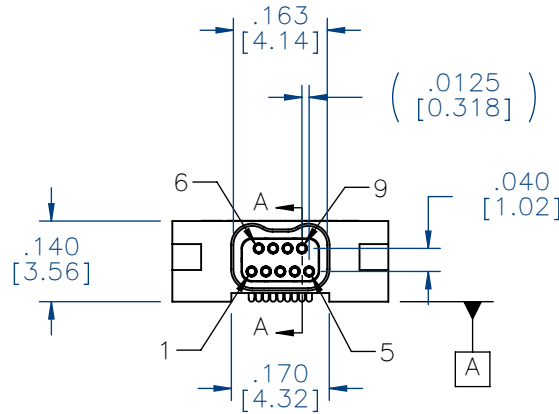
- HOUSING:**  
ALUMINUM 6061-T6, NICKEL PLATE PER SAE-AMS-2404
- INSULATOR:**  
LIQUID CRYSTAL POLYMER (LCP) PER ASTM D5138
- CONTACTS:**  
COPPER ALLOY PER MIL-DTL-32139, GOLD PLATED PER ASTM B488, (HARD GOLD) TYPE II CODE C CLASS 1.27
- TERMINATIONS:**  
SOLDER COATED WITH SN63A PER J-STD-006
- CURRENT RATING:**  
1 AMP MAX PER MIL-DTL-32139
- CONTACT RESISTANCE:**  
71 MILLIOHM MAX (71mV DROP MAX) @ 1.0 AMPS PER MIL-DTL-32139

**PERFORMANCE:**  
PRODUCT FAMILY TESTED TO AND PASSED THE PERFORMANCE SPECIFICATIONS OF TABLE VIII OF MIL-DTL-32139

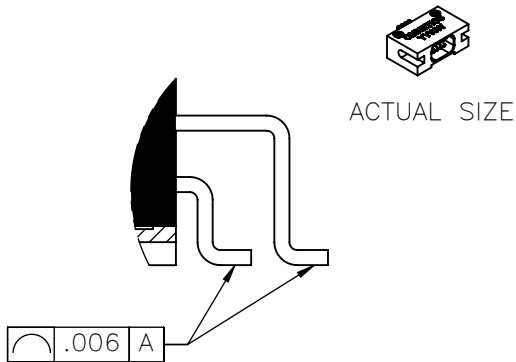
PART NO.	A29051-009	REV	ECO	DATE	APP
		B	102559	05-04-16	TLM



SUGGESTED PAD LAYOUT



SECTION A-A



DETAIL B  
SCALE 8 : 1

NOTE:

DIMENSIONS IN [ ] ARE IN MILLIMETERS UNLESS OTHERWISE NOTED AND ARE FOR REFERENCE ONLY

MNSL	THIRD ANGLE	THIS DRAWING CONTAINS CONFIDENTIAL AND PROPRIETARY INFORMATION WHICH IS THE PROPERTY OF OMNETICS CONNECTOR CORP. THIS DOCUMENT MAY NOT, IN WHOLE OR IN PART, BE DUPLICATED, OR DISCLOSED FOR ANY PURPOSE, WITHOUT WRITTEN PERMISSION FROM OMNETICS CONNECTOR CORP.	DATE	TITLE:
	-TOLERANCES-		04-29-15	
	UNLESS OTHERWISE NOTED		DATE	
	DIMENSIONS IN INCHES			
SLDW	2 PL DEC ± .01	DFTM. TLM		(9) SOCKET FEMALE LATCHING Bi-Lobe® CONNECTOR
	3 PL DEC ± .005	CHK'D.		
	4 PL DEC ± .0005	APP'D.		
	ANGLES ± 1°			

**OMNETICS**  
CONNECTOR CORPORATION  
7260 COMMERCE CIRCLE EAST  
MINNEAPOLIS, MN 55432  
WWW.OMNETICS.COM

CAGE CODE	61873
DWG NO.	A29051-009
SHEET 1 OF 1	REV B
SCALE: 3:1	