

# MATERIALS & SPECIFICATIONS

PART NO.	A29050-031	REV	ECO	DATE	APP
		B	96328	11-20-09	TLM

HOUSING:  
ALUMINUM 6061-T6, NICKEL PLATE PER  
AMS-C-26074

INSULATOR:  
LIQUID CRYSTAL POLYMER (LCP) PER  
ASTM D5138

CONTACT:  
COPPER ALLOY PER MIL-DTL-32139,  
GOLD PLATED PER ASTM B488, (HARD  
GOLD) TYPE II CODE C, CLASS 1.27

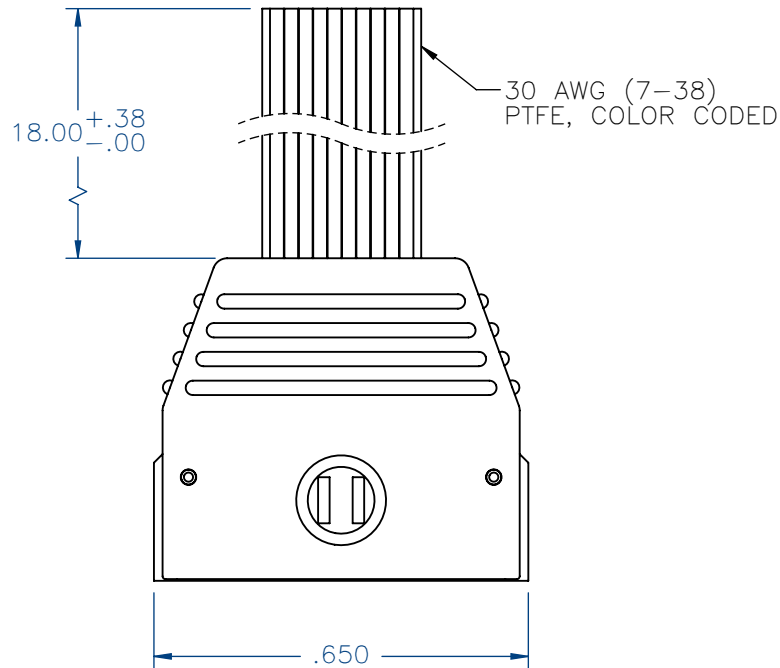
WIRE:  
NEMA HP3 TYPE ET, COLOR CODED IAW  
MIL-STD-681, SYSTEM 1, USING TEN  
SOLID REPEATING COLORS

HARDWARE:  
17-7 STAINLESS STEEL

CURRENT RATING:  
1 AMP MAX PER MIL-DTL-32139

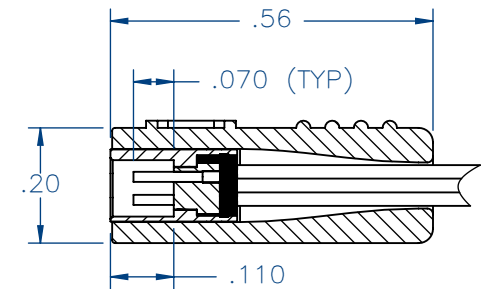
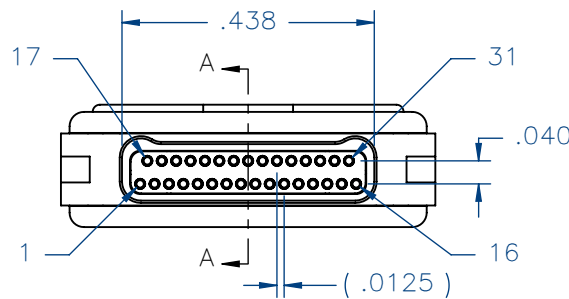
CONTACT RESISTANCE:  
71 MILLIOHM MAX (71mV DROP MAX) @  
1.0 AMPS PER MIL-DTL-32139

PERFORMANCE:  
PRODUCT FAMILY TESTED TO AND  
PASSED THE PERFORMANCE  
SPECIFICATIONS OF TABLE VIII OF MIL-  
DTL-32139

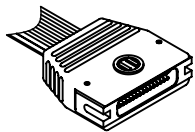


SOCKET #	COLOR
1, 11, 21, 31	BLACK
2, 12, 22	BROWN
3, 13, 23	RED
4, 14, 24	ORANGE
5, 15, 25	YELLOW
6, 16, 26	GREEN
7, 17, 27	BLUE
8, 18, 28	VIOLET
9, 19, 29	GRAY
10, 20, 30	WHITE

INTERNAL USE ONLY  
USE MFG LOADING  
PROCEDURE A29000-031



SECTION A-A



ACTUAL SIZE  
EXCLUDING WIRE LENGTH

MNSL	THIRD ANGLE
	-TOLERANCES-
MCTSDW	UNLESS OTHERWISE NOTED
	DIMENSIONS IN INCHES
	2 PL DEC ± .01
	3 PL DEC ± .005
	4 PL DEC ± .0005
	ANGLES ± 1°

THIS DRAWING CONTAINS CONFIDENTIAL AND PROPRIETARY INFORMATION WHICH IS THE PROPERTY OF OMNETICS CONNECTOR CORP. THIS DOCUMENT MAY NOT, IN WHOLE OR IN PART, BE DUPLICATED, OR DISCLOSED FOR ANY PURPOSE, WITHOUT WRITTEN PERMISSION FROM OMNETICS CONNECTOR CORP.

DFTM. JPF	DATE
CHK'D.	DATE
APP'D.	DATE

TITLE:  
(31) SOCKET FEMALE  
LATCHING Bi-Lobe®  
CONNECTOR

**OMNETICS**  
CONNECTOR CORPORATION  
7260 COMMERCE CIRCLE EAST  
MINNEAPOLIS, MN 55432  
WWW.OMNETICS.COM

CAGE CODE	61873
DWG NO.	A29050-031
SHEET 1 OF 1	REV B
SCALE:	3:1