

# MATERIALS & SPECIFICATIONS

**HOUSING:**  
ALUMINUM 60601-T6,  
NICKEL PLATE PER  
SAE-AMS-2404.

**INSULATOR:**  
LIQUID CRYSTAL  
POLYMER (LCP) PER  
ASTM D5138

**CONTACT:**  
COPPER ALLOY PER  
MIL-DTL-32139, GOLD  
PLATED PER ASTM  
B488, (HARD GOLD)  
TYPE II CODE C CLASS  
1.27

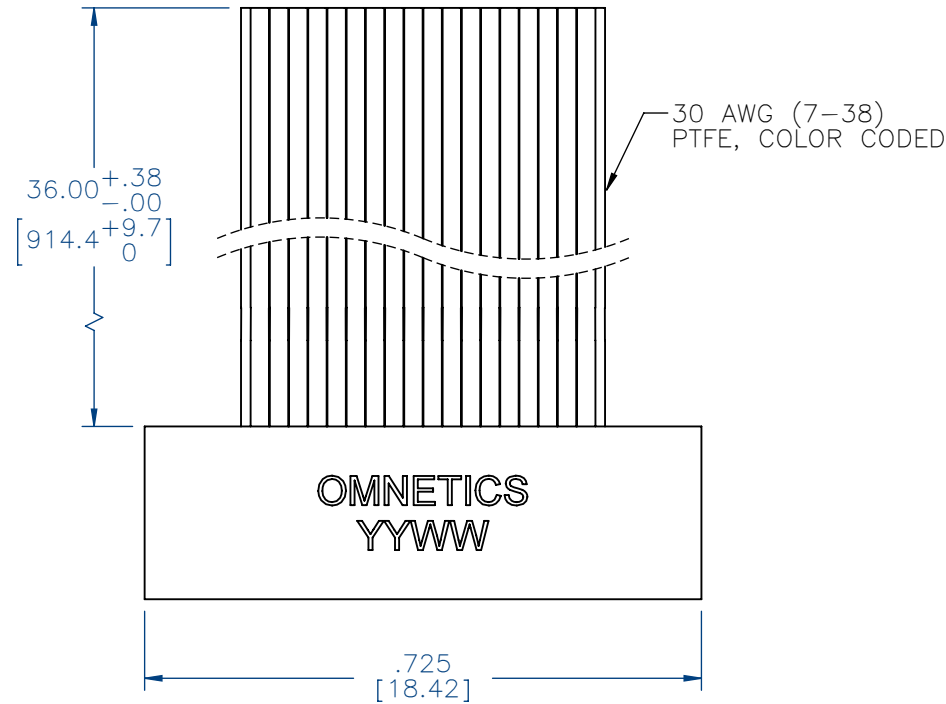
**WIRE:**  
NEMA HP3 TYPE ET,  
COLOR CODED IAW  
MIL-STD-681, SYSTEM  
1, USING TEN SOLID  
REPEATING COLORS

**CURRENT RATING:**  
1 AMP MAX PER MIL-  
DTL-32139

**CONTACT RESISTANCE:**  
71 MILLIOHM MAX  
(71mV DROP MAX) @  
1.0 AMPS PER MIL-  
DTL-32139

**PERFORMANCE:**  
PRODUCT FAMILY  
TESTED TO AND  
PASSED THE  
PERFORMANCE  
SPECIFICATIONS OF ( [.0575  
[1.461] )  
TABLE VIII OF MIL-  
DTL-32139.

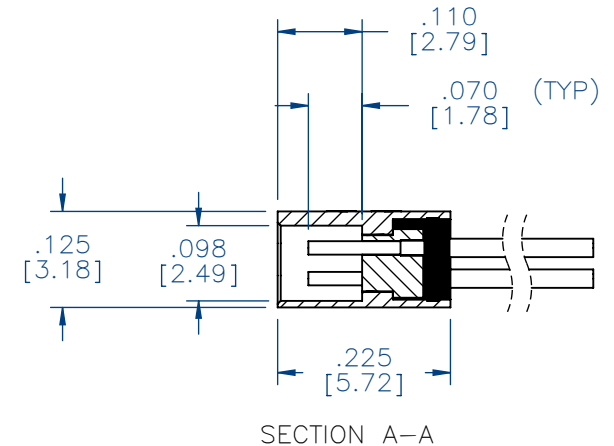
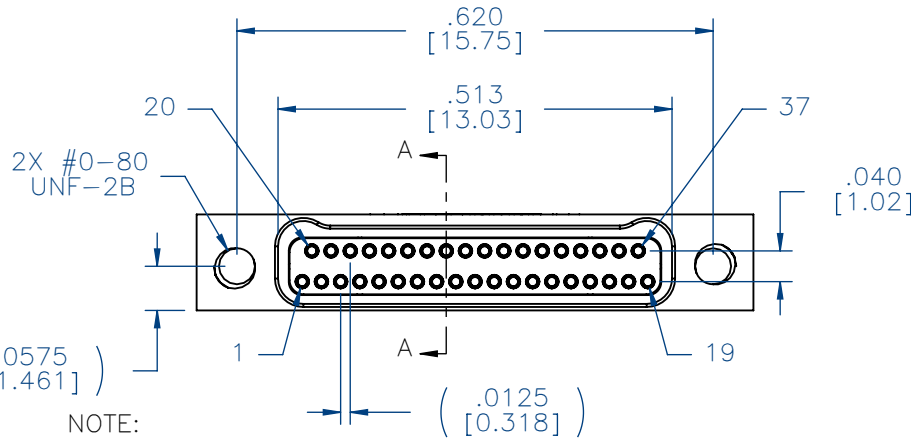
PART NO.	A29036-037	REV	ECO	DATE	APP
		A	98850	09-05-12	TLM



SOCKET #	COLOR
1, 11, 21, 31	BLACK
2, 12, 22, 32	BROWN
3, 13, 23, 33	RED
4, 14, 24, 34	ORANGE
5, 15, 25, 35	YELLOW
6, 16, 26, 36	GREEN
7, 17, 27, 37	BLUE
8, 18, 28	VIOLET
9, 19, 29	GRAY
10, 20, 30	WHITE

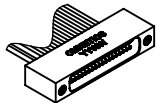
INTERNAL USE ONLY

SHEET 2 OF 2 IS A  
MFG LOADING DIAGRAM



NOTE:

DIMENSIONS IN [ ] ARE IN  
MILLIMETERS UNLESS  
OTHERWISE NOTED AND ARE  
FOR REFERENCE ONLY



ACTUAL SIZE  
EXCLUDING WIRE LENGTH

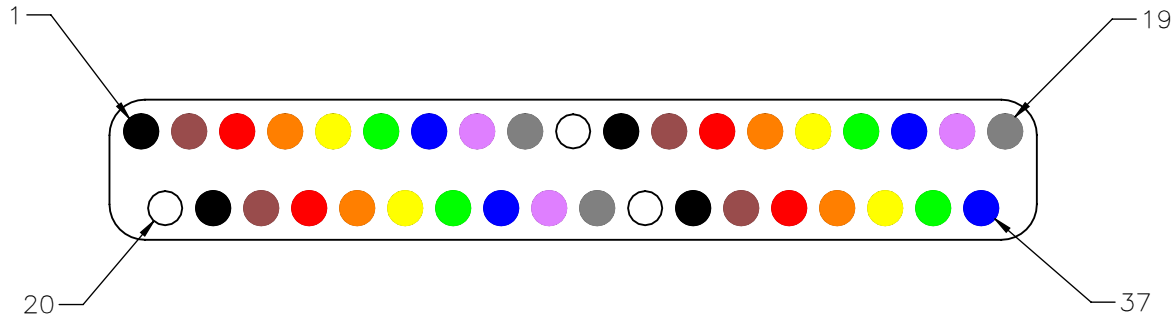
MNSW	THIRD ANGLE
	-TOLERANCES-
MGTW	UNLESS OTHERWISE NOTED
	DIMENSIONS IN INCHES
	2 PL DEC ± .01
	3 PL DEC ± .005
	4 PL DEC ± .0005
	ANGLES ± 1°

THIS DRAWING CONTAINS CONFIDENTIAL AND PROPRIETARY INFORMATION WHICH IS THE PROPERTY OF OMNETICS CONNECTOR CORP. THIS DOCUMENT MAY NOT, IN WHOLE OR IN PART, BE DUPLICATED, OR DISCLOSED FOR ANY PURPOSE, WITHOUT WRITTEN PERMISSION FROM OMNETICS CONNECTOR CORP.	
DFTM. TLM	DATE 07-31-12
CHK'D.	DATE
APP'D.	DATE
TITLE: (37) SOCKET FEMALE Bi-Lobe® CONNECTOR	

**OMNETICS**  
CONNECTOR CORPORATION  
7260 COMMERCE CIRCLE EAST  
MINNEAPOLIS, MN 55432  
WWW.OMNETICS.COM

CAGE CODE <b>61873</b>
DWG NO. <b>A29036-037</b>
SHEET 1 OF 2
SCALE: 4:1
REV A

PART NO.	A29036-037	REV	ECO	DATE	APP
		A	98850	09-05-12	TLM



SOCKET #	COLOR
1, 11, 21, 31	BLACK
2, 12, 22, 32	BROWN
3, 13, 23, 33	RED
4, 14, 24, 34	ORANGE
5, 15, 25, 35	YELLOW
6, 16, 26, 36	GREEN
7, 17, 27, 37	BLUE
8, 18, 28	VIOLET
9, 19, 29	GRAY
10, 20, 30	WHITE

MNSO SLDW	THIRD ANGLE
	-TOLERANCES- UNLESS OTHERWISE NOTED
	DIMENSIONS IN INCHES
	2 PL DEC ± .01 3 PL DEC ± .005 4 PL DEC ± .0005 ANGLES ± 1°

THIS DRAWING CONTAINS CONFIDENTIAL AND PROPRIETARY INFORMATION WHICH IS THE PROPERTY OF OMNETICS CONNECTOR CORP. THIS DOCUMENT MAY NOT, IN WHOLE OR IN PART, BE DUPLICATED, OR DISCLOSED FOR ANY PURPOSE, WITHOUT WRITTEN PERMISSION FROM OMNETICS CONNECTOR CORP.	
DFTM. TLM	DATE 07-31-12
CHK'D.	DATE
APP'D.	DATE

TITLE:  
(37) SOCKET FEMALE  
Bi-Lobe® CONNECTOR

**OMNETICS**  
CONNECTOR CORPORATION  
7260 COMMERCE CIRCLE EAST  
MINNEAPOLIS, MN 55432  
WWW.OMNETICS.COM

CAGE CODE <b>61873</b>
DWG NO. <b>A29036-037</b>
SHEET 2 OF 2
SCALE: 10:1
REV A