

MATERIALS & SPECIFICATIONS

HOUSING:

ALUMINUM 60601-T6, NICKEL PLATE PER SAE-AMS-2404.

INSULATOR:

LIQUID CRYSTAL POLYMER (LCP) PER ASTM D5138

CONTACT:

COPPER ALLOY PER MIL-DTL-32139, GOLD PLATED PER ASTM B488, (HARD GOLD) TYPE II CODE C CLASS 1.27

WIRE:

NEMA HP3 TYPE ET, COLOR CODED IAW MIL-STD-681, SYSTEM 1, USING TEN SOLID REPEATING COLORS

CURRENT RATING:

1 AMP MAX PER MIL-DTL-32139

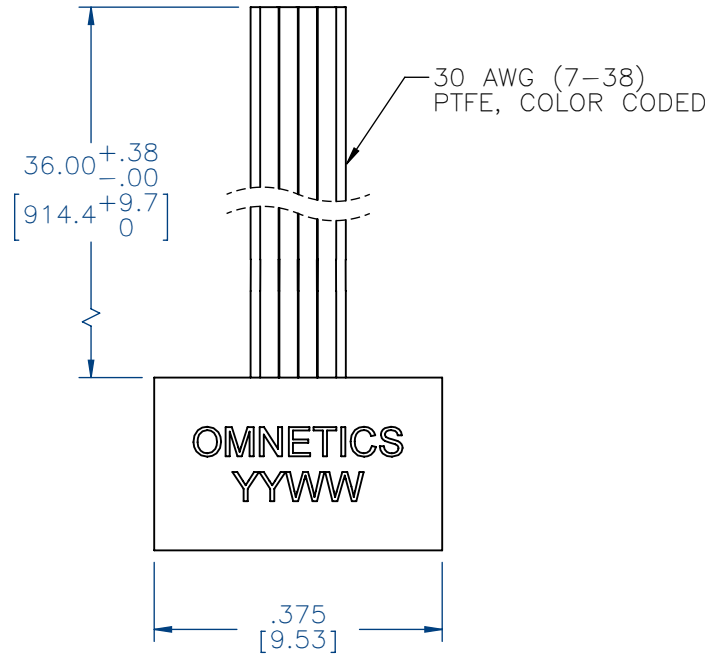
CONTACT RESISTANCE:

71 MILLIOHM MAX (71mV DROP MAX) @ 1.0 AMPS PER MIL-DTL-32139

PERFORMANCE:

PRODUCT FAMILY TESTED TO AND PASSED THE PERFORMANCE SPECIFICATIONS OF TABLE VIII OF MIL-DTL-32139.

PART NO.	A29036-009	REV	ECO	DATE	APP
		A	98850	09-05-12	TLM



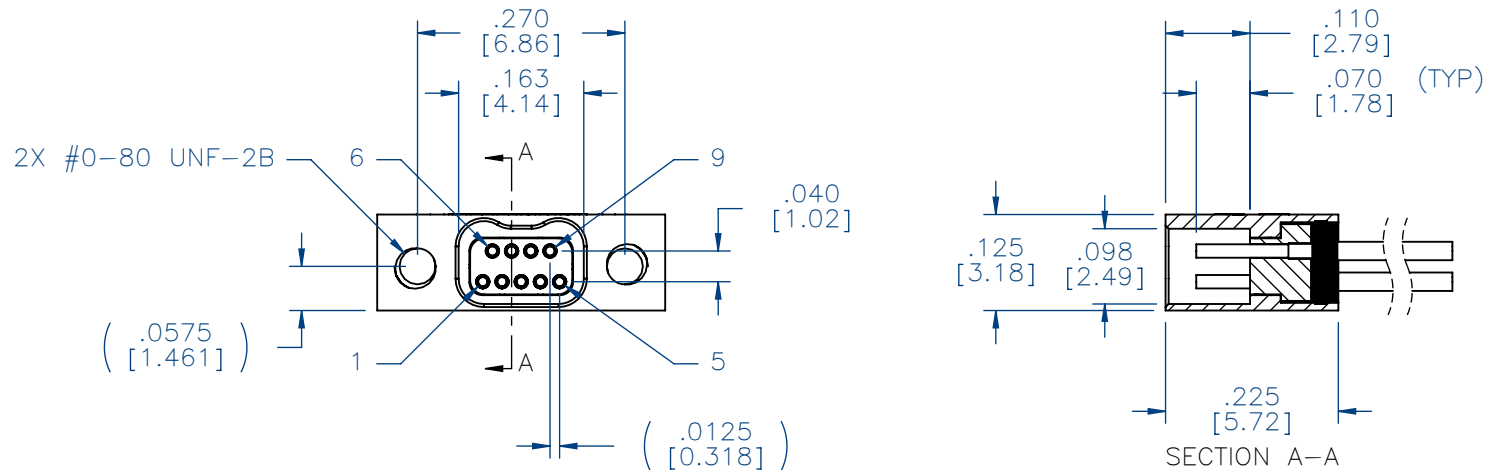
SOCKET #	COLOR
1	BLACK
2	BROWN
3	RED
4	ORANGE
5	YELLOW
6	GREEN
7	BLUE
8	VIOLET
9	GRAY

INTERNAL USE ONLY

SHEET 2 OF 2 IS A MFG LOADING DIAGRAM



ACTUAL SIZE EXCLUDING WIRE LENGTH



NOTE:

DIMENSIONS IN [] ARE IN MILLIMETERS UNLESS OTHERWISE NOTED AND ARE FOR REFERENCE ONLY

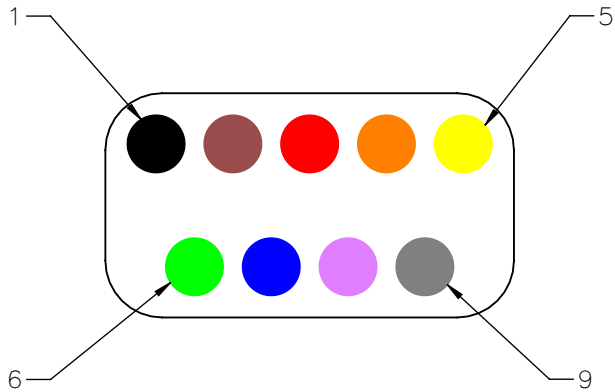
MNSW	THIRD ANGLE
	-TOLERANCES-
SLDS	UNLESS OTHERWISE NOTED
	DIMENSIONS IN INCHES
	2 PL DEC ± .01
	3 PL DEC ± .005
	4 PL DEC ± .0005
	ANGLES ± 1°

THIS DRAWING CONTAINS CONFIDENTIAL AND PROPRIETARY INFORMATION WHICH IS THE PROPERTY OF OMNETICS CONNECTOR CORP. THIS DOCUMENT MAY NOT, IN WHOLE OR IN PART, BE DUPLICATED, OR DISCLOSED FOR ANY PURPOSE, WITHOUT WRITTEN PERMISSION FROM OMNETICS CONNECTOR CORP.	
DFTM. TLM	DATE 07-31-12
CHK'D.	DATE
APP'D.	DATE
TITLE: (09) SOCKET FEMALE Bi-LobE® CONNECTOR	

OMNETICS
CONNECTOR CORPORATION
7260 COMMERCE CIRCLE EAST
MINNEAPOLIS, MN 55432
WWW.OMNETICS.COM

CAGE CODE 61873
DWG NO. A29036-009
SHEET 1 OF 2
SCALE: 4:1
REV A

PART NO.	A29036-009	REV	ECO	DATE	APP
		A	98850	09-05-12	TLM



SOCKET #	COLOR
1	BLACK
2	BROWN
3	RED
4	ORANGE
5	YELLOW
6	GREEN
7	BLUE
8	VIOLET
9	GRAY

MNSO	THIRD ANGLE
	-TOLERANCES- UNLESS OTHERWISE NOTED
SLDW	DIMENSIONS IN INCHES
	2 PL DEC ± .01
	3 PL DEC ± .005
	4 PL DEC ± .0005
	ANGLES ± 1°

THIS DRAWING CONTAINS CONFIDENTIAL AND PROPRIETARY INFORMATION WHICH IS THE PROPERTY OF OMNETICS CONNECTOR CORP. THIS DOCUMENT MAY NOT, IN WHOLE OR IN PART, BE DUPLICATED, OR DISCLOSED FOR ANY PURPOSE, WITHOUT WRITTEN PERMISSION FROM OMNETICS CONNECTOR CORP.	
DFTM. TLM	DATE 07-31-12
CHK'D.	DATE
APP'D.	DATE

TITLE:
(09) SOCKET FEMALE
Bi-LobE@CONNECTOR

OMNETICS
CONNECTOR CORPORATION
7260 COMMERCE CIRCLE EAST
MINNEAPOLIS, MN 55432
WWW.OMNETICS.COM

CAGE CODE 61873
DWG NO. A29036-009
SHEET 2 OF 2
SCALE: 16:1
REV A