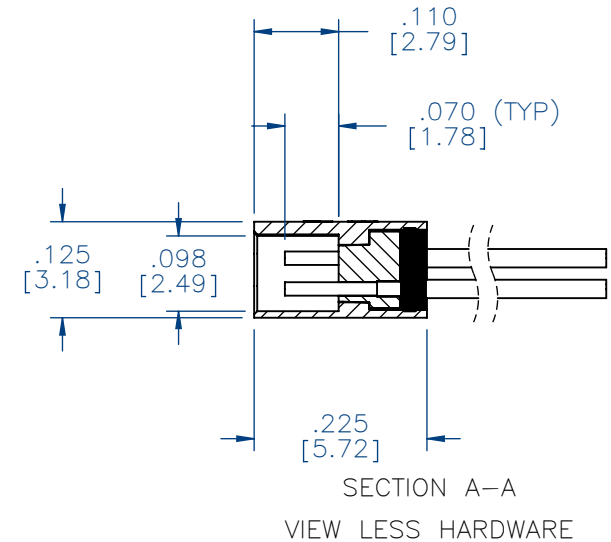
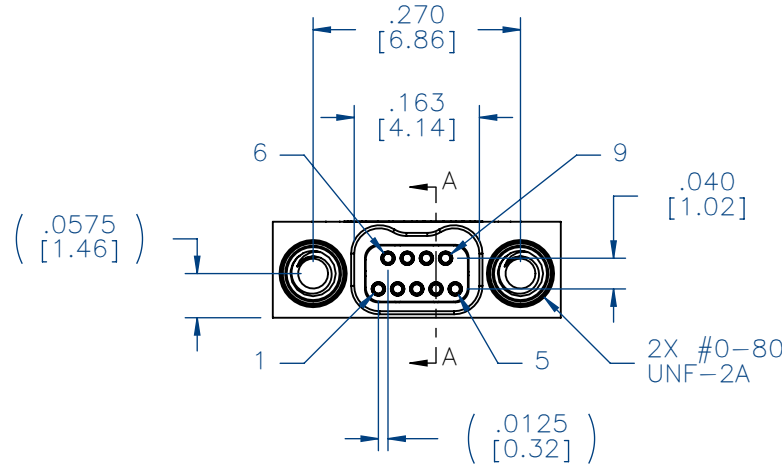
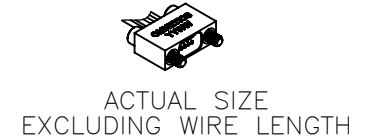
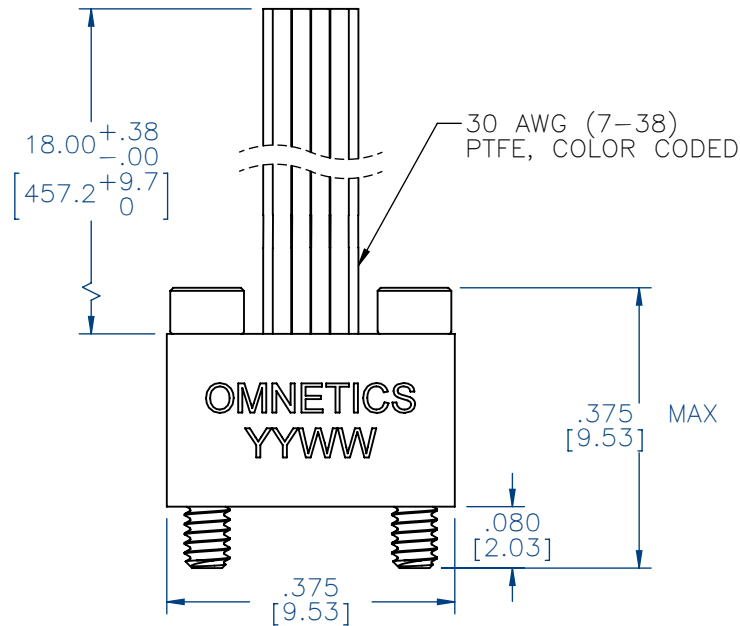


# MATERIALS & SPECIFICATIONS

PART NO.	A29000-109	REV	ECO	DATE	APP
		G	96258	10-19-09	TLM

- HOUSING:**  
ALUMINUM 6061-T6, NICKEL PLATE  
PER AMS-C-26074
- INSULATOR:**  
LIQUID CRYSTAL POLYMER (LCP) PER  
ASTM D5138
- CONTACT:**  
COPPER ALLOY PER MIL-DTL-32139,  
GOLD PLATED PER ASTM B488,  
(HARD GOLD) TYPE II CODE C CLASS  
1.27
- WIRE:**  
NEMA HP3 TYPE ET, COLOR CODED  
IAW MIL-STD-681, SYSTEM 1, USING  
TEN SOLID REPEATING COLORS
- HARDWARE:**  
303 STAINLESS STEEL PER ASTM 582
- CURRENT RATING:**  
1 AMP MAX PER MIL-DTL-32139
- CONTACT RESISTANCE:**  
71 MILLIOHM MAX (71mV DROP MAX)  
@ 1.0 AMPS PER MIL-DTL-32139
- PERFORMANCE:**  
PRODUCT FAMILY TESTED TO AND  
PASSED THE PERFORMANCE  
SPECIFICATIONS OF TABLE VIII OF  
MIL-DTL-32139



**INTERNAL USE ONLY**

SHEET 2 OF 2 IS A  
MFG LOADING DIAGRAM

SOCKET #	COLOR
1	BLACK
2	BROWN
3	RED
4	ORANGE
5	YELLOW
6	GREEN
7	BLUE
8	VIOLET
9	GRAY

MNSO SLDW	THIRD ANGLE
	-TOLERANCES-
	UNLESS OTHERWISE NOTED
	DIMENSIONS IN INCHES
	2 PL DEC ± .01 3 PL DEC ± .005 4 PL DEC ± .0005 ANGLES ± 1°

THIS DRAWING CONTAINS CONFIDENTIAL AND PROPRIETARY INFORMATION WHICH IS THE PROPERTY OF OMNETICS CONNECTOR CORP. THIS DOCUMENT MAY NOT, IN WHOLE OR IN PART, BE DUPLICATED, OR DISCLOSED FOR ANY PURPOSE, WITHOUT WRITTEN PERMISSION FROM OMNETICS CONNECTOR CORP.

DFTM. AAS DATE 05-10-04 TITLE: (09) SOCKET FEMALE BI-LOBE CONNECTOR

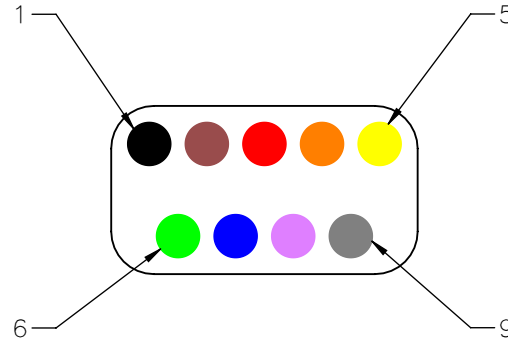
CHK'D. DATE

APP'D. DATE

**OMNETICS**  
CONNECTOR CORPORATION  
7260 COMMERCE CIRCLE EAST  
MINNEAPOLIS, MN 55432  
WWW.OMNETICS.COM

CAGE CODE <b>61873</b>
DWG NO. <b>A29000-109</b>
SHEET 1 OF 2
SCALE: 4:1
REV G

PART NO.	A29000-109	REV	ECO	DATE	APP
		G	96258	10-19-09	TLM



SOCKET #	COLOR
1	BLACK
2	BROWN
3	RED
4	ORANGE
5	YELLOW
6	GREEN
7	BLUE
8	VIOLET
9	GRAY

MNSO SLDW	THIRD ANGLE	THIS DRAWING CONTAINS CONFIDENTIAL AND PROPRIETARY INFORMATION WHICH IS THE PROPERTY OF OMNETICS CONNECTOR CORP. THIS DOCUMENT MAY NOT, IN WHOLE OR IN PART, BE DUPLICATED, OR DISCLOSED FOR ANY PURPOSE, WITHOUT WRITTEN PERMISSION FROM OMNETICS CONNECTOR CORP.	DATE 05-10-04	TITLE: (09) SOCKET FEMALE BI-LOBE CONNECTOR	CAGE CODE <b>61873</b>
	-TOLERANCES- UNLESS OTHERWISE NOTED DIMENSIONS IN INCHES				
	2 PL DEC ± .01 3 PL DEC ± .005 4 PL DEC ± .0005 ANGLES ± 1°	DFTM. AAS	DATE		SHEET 2 OF 2
		CHK'D.	DATE		REV G
		APP'D.	DATE		SCALE: 12:1

**OMNETICS**  
CONNECTOR CORPORATION  
7260 COMMERCE CIRCLE EAST  
MINNEAPOLIS, MN 55432  
WWW.OMNETICS.COM