

MATERIALS & SPECIFICATIONS

HOUSING:
ALUMINUM 6061, NICKEL PLATE
(500 MICRONS MINIMUM)
PER SAE-AMS-2404

INSULATOR:
LIQUID CRYSTAL POLYMER (LCP)
PER ASTM D5138

CONTACT:
BERYLLIUM COPPER PER ASTM
B194, C17200, GOLD PLATED
PER ASTM B488, (HARD GOLD)
TYPE II CODE C, CLASS 1.27

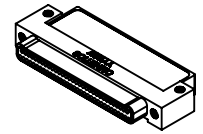
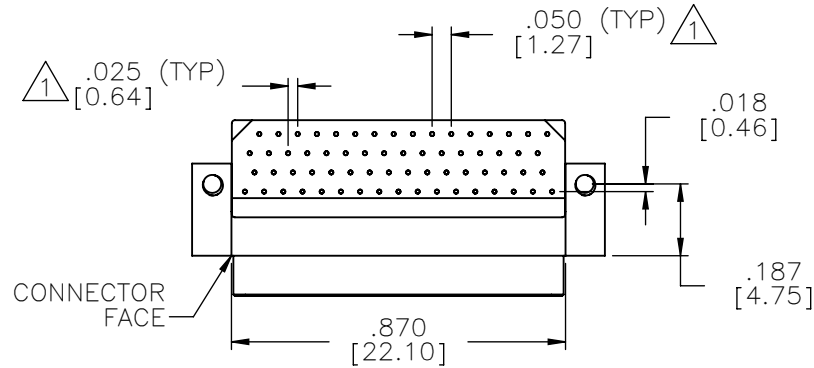
TERMINATION:
SOLDER COATED WITH SN63A
PER J-STD-006

CURRENT RATING:
1 AMP MAX PER MIL-DTL-
32139

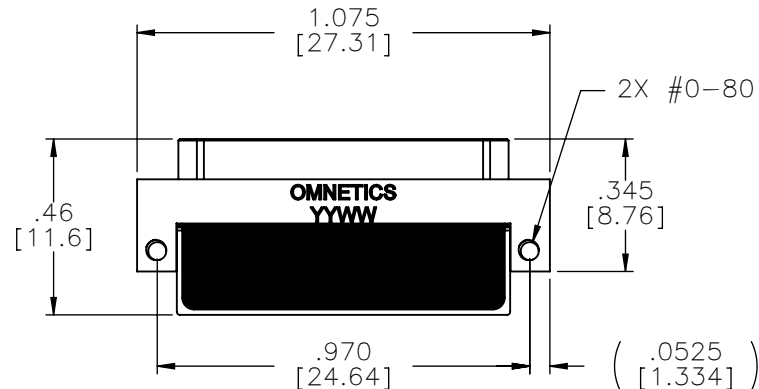
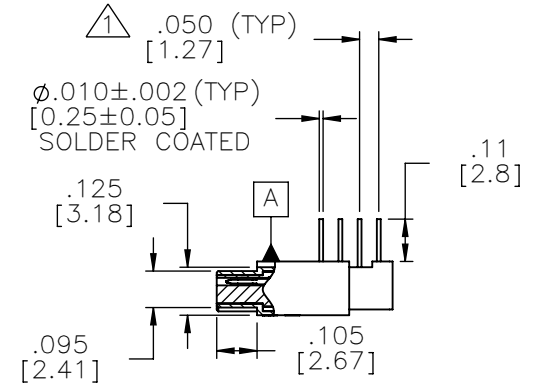
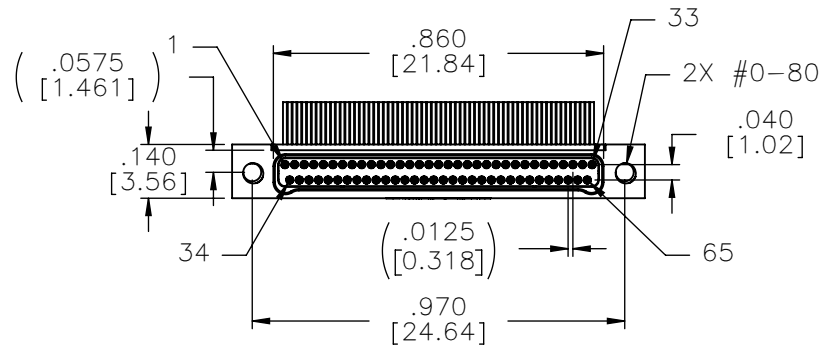
CONTACT RESISTANCE:
71 MILLIOHM MAX (71mV DROP
MAX) @ 1.0 AMPS PER MIL-
DTL-32139

PERFORMANCE:
PRODUCT FAMILY TESTED TO
AND PASSED THE PERFORMANCE
SPECIFICATIONS OF TABLE VIII
OF MIL-DTL-32139

SPECIAL INSTRUCTIONS: NO	PART NO.	A28400-065	REV	ECO	DATE	APP
			K	111407	02-18-25	DWP



ACTUAL SIZE



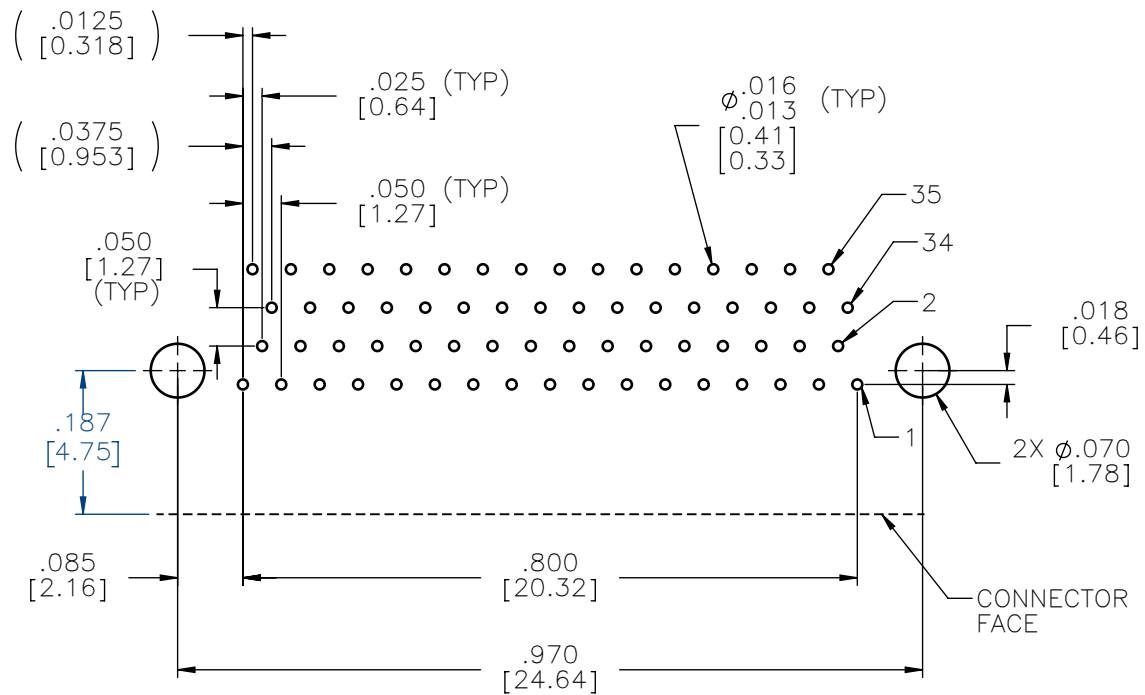
NOTES:
1 TAIL DIMENSIONS APPLY AT
PLANE A

2. DIMENSIONS IN [] ARE IN
MILLIMETERS UNLESS
OTHERWISE NOTED AND ARE
FOR REFERENCE ONLY

M/NDP	THIRD ANGLE	THIS DRAWING CONTAINS CONFIDENTIAL AND PROPRIETARY INFORMATION WHICH IS THE PROPERTY OF OMNETICS CONNECTOR CORP. THIS DOCUMENT MAY NOT, IN WHOLE OR IN PART, BE DUPLICATED, OR DISCLOSED FOR ANY PURPOSE, WITHOUT WRITTEN PERMISSION FROM OMNETICS CONNECTOR CORP.
	-TOLERANCES-	
SLDW	UNLESS OTHERWISE NOTED	TITLE: (65) PIN MALE BI-LOBE® CONNECTOR
	DIMENSIONS IN INCHES	
	2 PL DEC±.01	
	3 PL DEC±.005	
	4 PL DEC±.0005	DFTM. TLM
	ANGLES ± 1°	DATE 05-01-06

OMNETICS
CONNECTOR CORPORATION
8840 EVERGREEN BLVD.
MINNEAPOLIS, MN 55433
WWW.OMNETICS.COM

DWG NO.	CAGE CODE	61873
		A28400-065
SHEET 1 OF 2	SCALE: 2:1	REV K



SUGGESTED HOLE PATTERN

MNP O	THIRD ANGLE ϕ ∇
	-TOLERANCES-
SLDW	UNLESS OTHERWISE NOTED
	DIMENSIONS IN INCHES
	2 PL DEC \pm .01
	3 PL DEC \pm .005
	4 PL DEC \pm .0005
	ANGLES \pm 1°

THIS DRAWING CONTAINS CONFIDENTIAL AND PROPRIETARY INFORMATION WHICH IS THE PROPERTY OF OMNETICS CONNECTOR CORP. THIS DOCUMENT MAY NOT, IN WHOLE OR IN PART, BE DUPLICATED, OR DISCLOSED FOR ANY PURPOSE, WITHOUT WRITTEN PERMISSION FROM OMNETICS CONNECTOR CORP.	
TITLE:	(65) PIN MALE
DFTM. TLM	BI-LOBE® CONNECTOR
DATE	05-01-06

OMNETICS
CONNECTOR CORPORATION
8840 EVERGREEN BLVD.
MINNEAPOLIS, MN 55433
WWW.OMNETICS.COM

DWG NO.	CAGE CODE	61873
A28400-065		
SHEET	SCALE: 4:1	REV K
2 OF 2		