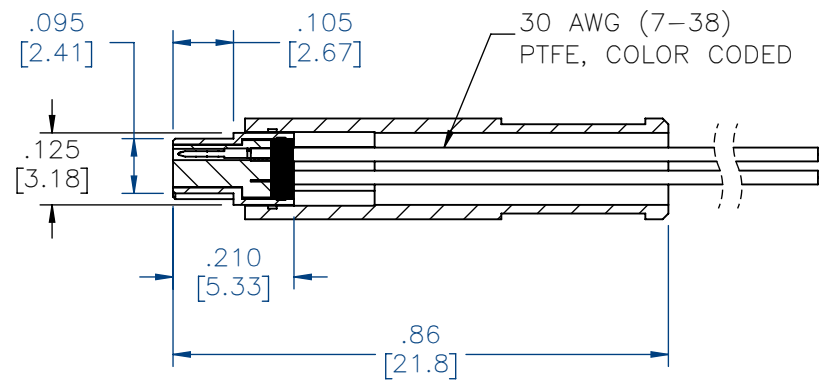
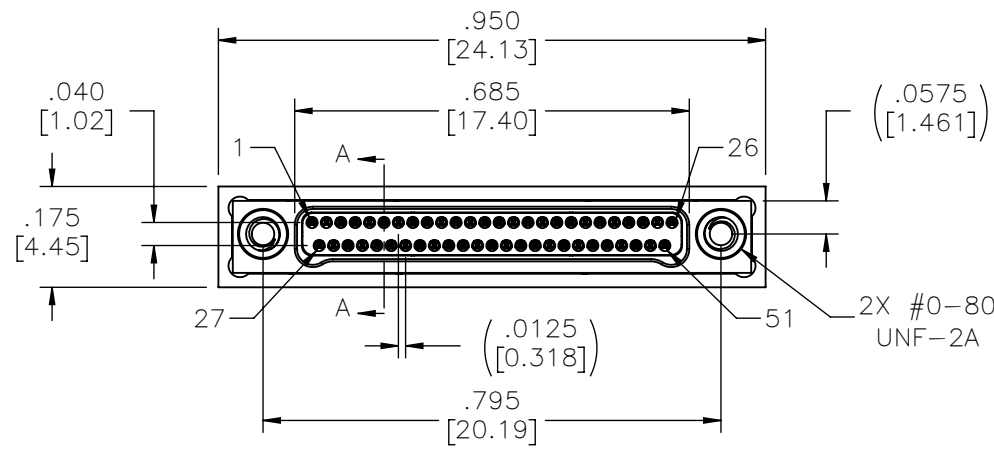
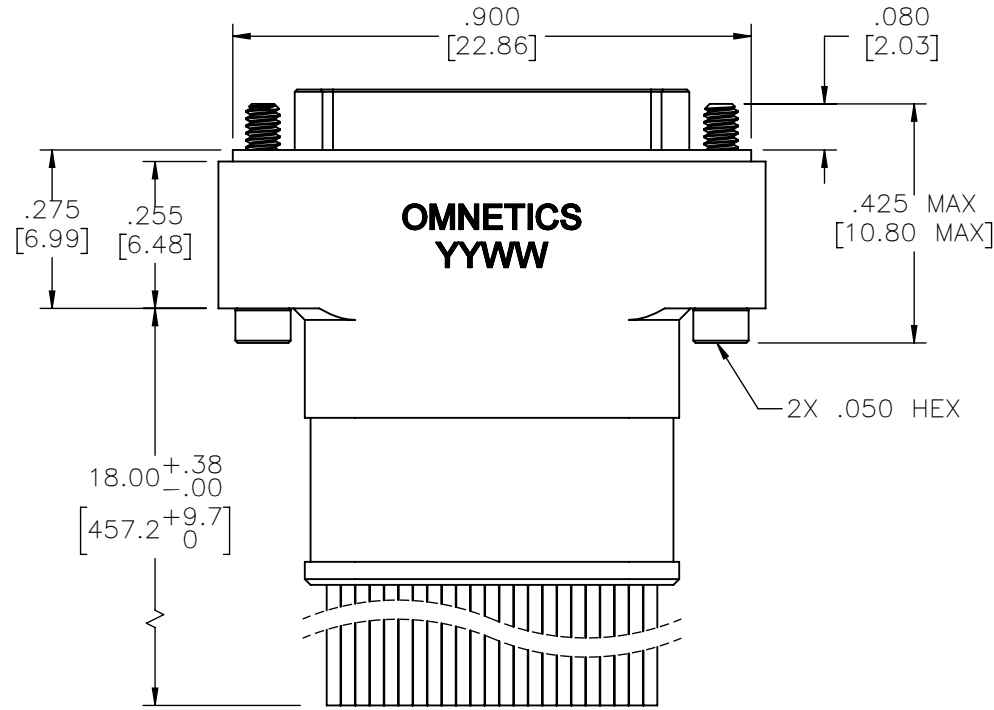


| | | | | | |
|----------|------------|-----|--------|----------|-----|
| PART NO. | A28111-051 | REV | ECO | DATE | APP |
| | | A | 104304 | 03-07-18 | HV |

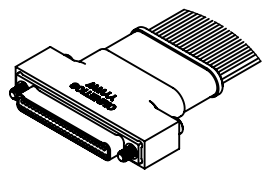


SECTION A-A



| PIN # | COLOR |
|-----------------------|--------|
| 1, 11, 21, 31, 41, 51 | BLACK |
| 2, 12, 22, 32, 42 | BROWN |
| 3, 13, 23, 33, 43 | RED |
| 4, 14, 24, 34, 44 | ORANGE |
| 5, 15, 25, 35, 45 | YELLOW |
| 6, 16, 26, 36, 46 | GREEN |
| 7, 17, 27, 37, 47 | BLUE |
| 8, 18, 28, 38, 48 | VIOLET |
| 9, 19, 29, 39, 49 | GRAY |
| 10, 20, 30, 40, 50 | WHITE |

INTERNAL USE ONLY
USE MFG LOADING
PROCEDURE A28000-051



ACTUAL SIZE
EXCLUDING WIRE LENGTH

NOTE:
DIMENSIONS IN [] ARE IN MILLIMETERS UNLESS OTHERWISE NOTED AND ARE FOR REFERENCE ONLY

| | |
|------------------|------------------------|
| MNP/SLDW | THIRD ANGLE |
| | -TOLERANCES- |
| | UNLESS OTHERWISE NOTED |
| | DIMENSIONS IN INCHES |
| | 2 PL DEC ± .01 |
| 3 PL DEC ± .005 | |
| 4 PL DEC ± .0005 | |
| ANGLES ± 1° | |

| | |
|--|---------------|
| THIS DRAWING CONTAINS CONFIDENTIAL AND PROPRIETARY INFORMATION WHICH IS THE PROPERTY OF OMNETICS CONNECTOR CORP. THIS DOCUMENT MAY NOT, IN WHOLE OR IN PART, BE DUPLICATED, OR DISCLOSED FOR ANY PURPOSE, WITHOUT WRITTEN PERMISSION FROM OMNETICS CONNECTOR CORP. | |
| DFTM. HV | DATE 03-02-18 |
| CHK'D. | DATE |
| APP'D. | DATE |
| TITLE: (51) PIN MALE Bi-Lobe® CONNECTOR W/BACKSHELL | |

OMNETICS
CONNECTOR CORPORATION
7260 COMMERCE CIRCLE EAST
MINNEAPOLIS, MN 55432
WWW.OMNETICS.COM

| |
|--------------------|
| CAGE CODE 61873 |
| DWG NO. A28111-051 |
| SHEET 1 OF 2 |
| SCALE: 3:1 |
| REV A |

| | | | | | |
|----------|------------|-----|--------|----------|-----|
| PART NO. | A28111-051 | REV | ECO | DATE | APP |
| | | A | 104304 | 03-07-18 | HV |

MATERIALS & SPECIFICATIONS

HOUSING & BACKSHELL:
 ALUMINUM 6061, NICKEL PLATED (500 MICROINCHES MINIMUM)
 PER SAE-AMS-2404.

INSULATOR:
 LIQUID CRYSTAL POLYMER (LCP) PER ASTM D5138

CONTACT:
 BERYLLIUM COPPER PER ASTM B194, C17200, GOLD PLATED PER
 ASTM B488, (HARD GOLD) TYPE II CODE C, CLASS 1.27

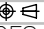

WIRE:
 NEMA HP3 TYPE ET, COLOR CODED IAW MIL-STD-681, SYSTEM 1,
 USING TEN SOLID REPEATING COLORS

HARDWARE:
 303 STAINLESS STEEL PER ASTM A582

CURRENT RATING:
 1 AMP MAX PER MIL-DTL-32139

CONTACT RESISTANCE:
 71 MILLIOHM MAX (71mV DROP MAX) @ 1.0 AMPS PER MIL-
 DTL-32139

PERFORMANCE:
 PRODUCT FAMILY TESTED TO AND PASSED THE PERFORMANCE
 SPECIFICATIONS OF TABLE VIII OF MIL-DTL-32139.

| | | | | | |
|-------------|---|--|--|---|---|
| M P O | THIRD ANGLE  | THIS DRAWING CONTAINS CONFIDENTIAL AND PROPRIETARY INFORMATION WHICH IS THE PROPERTY OF OMNETICS CONNECTOR CORP. THIS DOCUMENT MAY NOT, IN WHOLE OR IN PART, BE DUPLICATED, OR DISCLOSED FOR ANY PURPOSE, WITHOUT WRITTEN PERMISSION FROM OMNETICS CONNECTOR CORP. | |  CONNECTOR CORPORATION 7260 COMMERCE CIRCLE EAST MINNEAPOLIS, MN 55432 WWW.OMNETICS.COM | CAGE CODE 61873 |
| | SL D W | -TOLERANCES- UNLESS OTHERWISE NOTED DIMENSIONS IN INCHES 2 PL DEC ± .01 3 PL DEC ± .005 4 PL DEC ± .0005 ANGLES ± 1° | DFTM. HV DATE 03-02-18 CHK'D. DATE APP'D. DATE | | TITLE: (51) PIN MALE Bi-Lobe® CONNECTOR W/BACKSHELL |