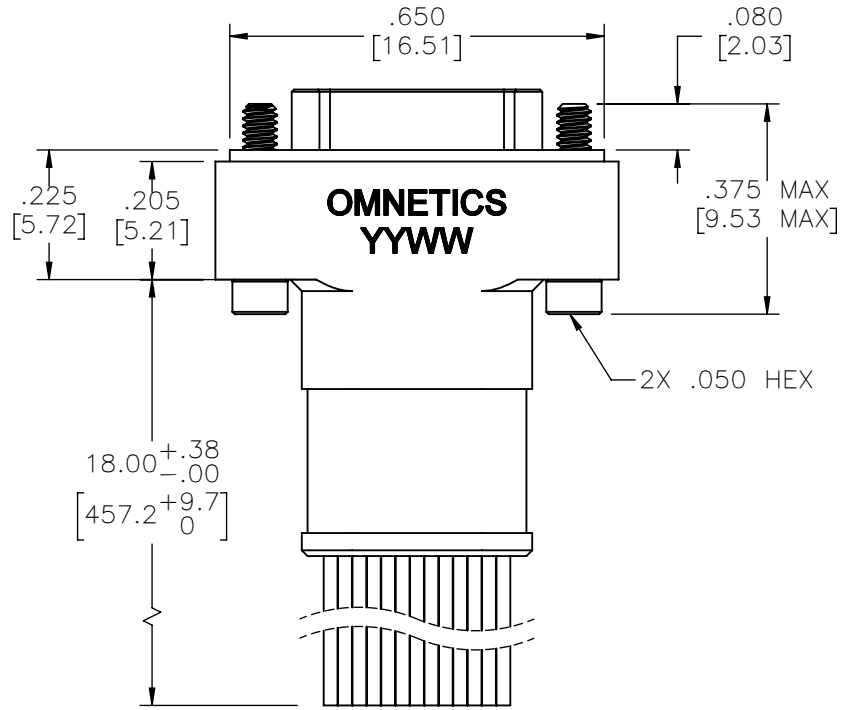
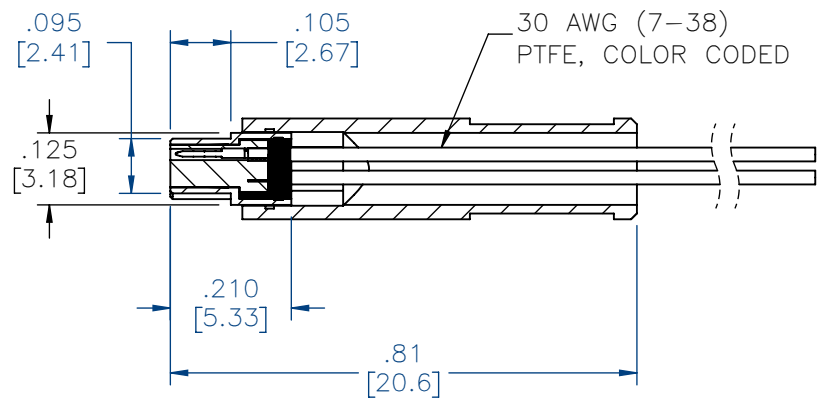
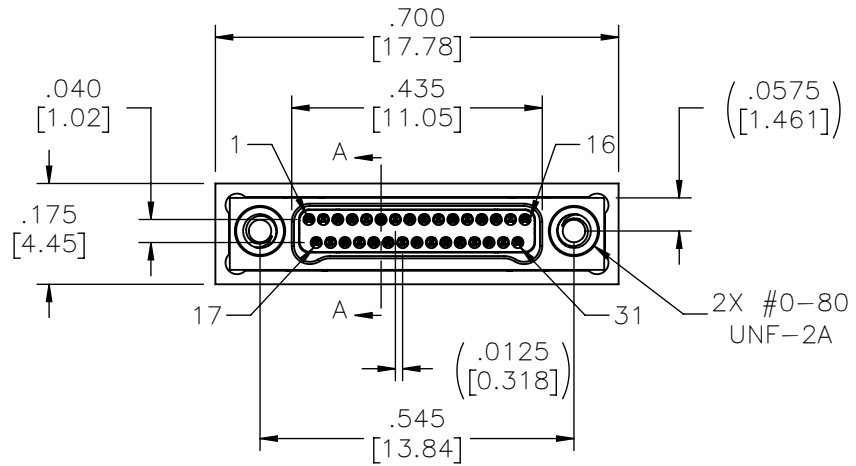
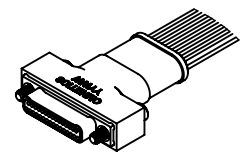


PART NO.	A28111-031	REV	ECO	DATE	APP
		A	104304	03-07-18	HV



PIN #	COLOR
1, 11, 21, 31	BLACK
2, 12, 22	BROWN
3, 13, 23	RED
4, 14, 24	ORANGE
5, 15, 25	YELLOW
6, 16, 26	GREEN
7, 17, 27	BLUE
8, 18, 28	VIOLET
9, 19, 29	GRAY
10, 20, 30	WHITE

INTERNAL USE ONLY  
USE MFG LOADING  
PROCEDURE A28000-031



ACTUAL SIZE  
EXCLUDING WIRE LENGTH

NOTE:  
DIMENSIONS IN [ ] ARE IN MILLIMETERS UNLESS OTHERWISE NOTED AND ARE FOR REFERENCE ONLY

MFG/SLDW	THIRD ANGLE
	-TOLERANCES-
	UNLESS OTHERWISE NOTED
	DIMENSIONS IN INCHES
	2 PL DEC ± .01 3 PL DEC ± .005 4 PL DEC ± .0005
	ANGLES ± 1°

THIS DRAWING CONTAINS CONFIDENTIAL AND PROPRIETARY INFORMATION WHICH IS THE PROPERTY OF OMNETICS CONNECTOR CORP. THIS DOCUMENT MAY NOT, IN WHOLE OR IN PART, BE DUPLICATED, OR DISCLOSED FOR ANY PURPOSE, WITHOUT WRITTEN PERMISSION FROM OMNETICS CONNECTOR CORP.	
DFTM. HV	DATE 03-02-18
CHK'D.	DATE
APP'D.	DATE
TITLE: (31) PIN MALE Bi-Lobe® CONNECTOR W/BACKSHELL	

**OMNETICS**  
CONNECTOR CORPORATION  
7260 COMMERCE CIRCLE EAST  
MINNEAPOLIS, MN 55432  
WWW.OMNETICS.COM

CAGE CODE 61873
DWG NO. A28111-031
SHEET 1 OF 2
SCALE: 3:1
REV A

PART NO.	A28111-031	REV	ECO	DATE	APP
		A	104304	03-07-18	HV

MATERIALS & SPECIFICATIONS

HOUSING & BACKSHELL:  
ALUMINUM 6061, NICKEL PLATED (500 MICROINCHES MINIMUM)  
PER SAE-AMS-2404.

INSULATOR:  
LIQUID CRYSTAL POLYMER (LCP) PER ASTM D5138

CONTACT:  
BERYLLIUM COPPER PER ASTM B194, C17200, GOLD PLATED PER  
ASTM B488, (HARD GOLD) TYPE II CODE C, CLASS 1.27

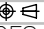

WIRE:  
NEMA HP3 TYPE ET, COLOR CODED IAW MIL-STD-681, SYSTEM 1,  
USING TEN SOLID REPEATING COLORS

HARDWARE:  
303 STAINLESS STEEL PER ASTM A582

CURRENT RATING:  
1 AMP MAX PER MIL-DTL-32139

CONTACT RESISTANCE:  
71 MILLIOHM MAX (71mV DROP MAX) @ 1.0 AMPS PER MIL-  
DTL-32139

PERFORMANCE:  
PRODUCT FAMILY TESTED TO AND PASSED THE PERFORMANCE  
SPECIFICATIONS OF TABLE VIII OF MIL-DTL-32139.

MFG	THIRD ANGLE 	THIS DRAWING CONTAINS CONFIDENTIAL AND PROPRIETARY INFORMATION WHICH IS THE PROPERTY OF OMNETICS CONNECTOR CORP. THIS DOCUMENT MAY NOT, IN WHOLE OR IN PART, BE DUPLICATED, OR DISCLOSED FOR ANY PURPOSE, WITHOUT WRITTEN PERMISSION FROM OMNETICS CONNECTOR CORP.		 <b>CONNECTOR CORPORATION</b> 7260 COMMERCE CIRCLE EAST MINNEAPOLIS, MN 55432 WWW.OMNETICS.COM	CAGE CODE <b>61873</b>	
	UNLESS OTHERWISE NOTED	DFTM. HV	DATE 03-02-18		TITLE: <b>(31) PIN MALE Bi-Lobe® CONNECTOR W/BACKSHELL</b>	DWG NO. <b>A28111-031</b>
SLDW	DIMENSIONS IN INCHES	CHK'D.	DATE		SHEET 2 OF 2	REV A
	2 PL DEC± .01 3 PL DEC± .005 4 PL DEC± .0005 ANGLES ± 1°	APP'D.	DATE		SCALE: 3:1	