

# MATERIALS & SPECIFICATIONS

PART NO.	A28072-051	REV	ECO	DATE	APP
		A	103877	10-16-17	TLM

**HOUSING:**  
ALUMINUM 6061, NICKEL PLATE  
PER (500 MICRONS MINIMUM) SAE-AMS-2404

**INSULATOR:**  
LIQUID CRYSTAL POLYMER (LCP) PER ASTM D5138  
(.0575 [1.461])

**CONTACT:**  
BERYLLIUM COPPER PER ASTM B194, C17200, GOLD PLATED  
PER ASTM B488, (HARD GOLD)  
TYPE II CODE C, CLASS 1.27

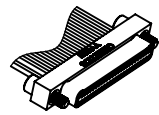
**WIRE:**  
NEMA HP3 TYPE ET, COLOR  
CODED IAW MIL-STD-681,  
SYSTEM 1, USING TEN SOLID  
REPEATING COLORS

**HARDWARE:**  
303 STAINLESS STEEL PER  
ASTM A582

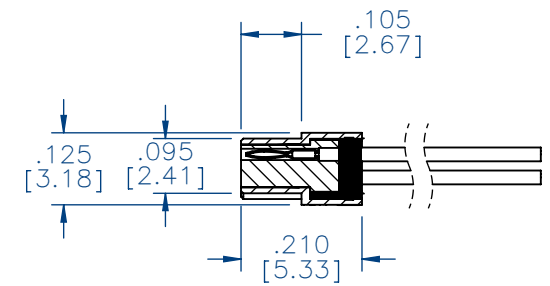
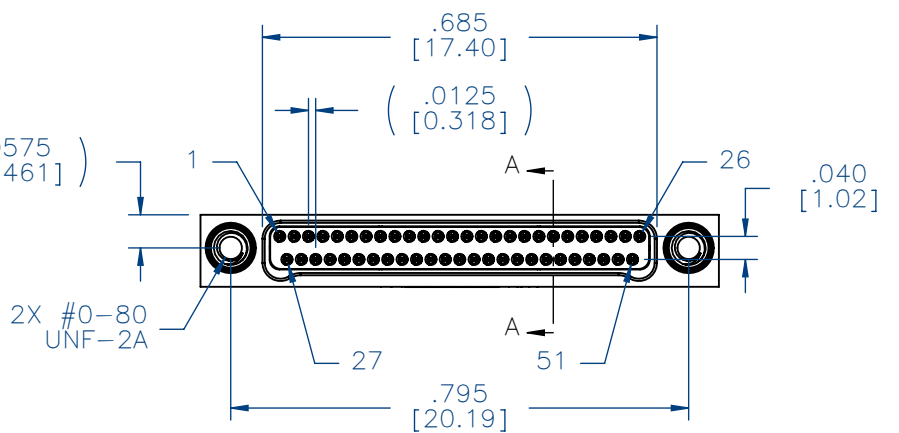
**CURRENT RATING:**  
1 AMP MAX PER MIL-DTL-32139

**CONTACT RESISTANCE:**  
71 MILLIOHM MAX (71mV  
DROP MAX) @ 1.0 AMPS PER  
MIL-DTL-32139

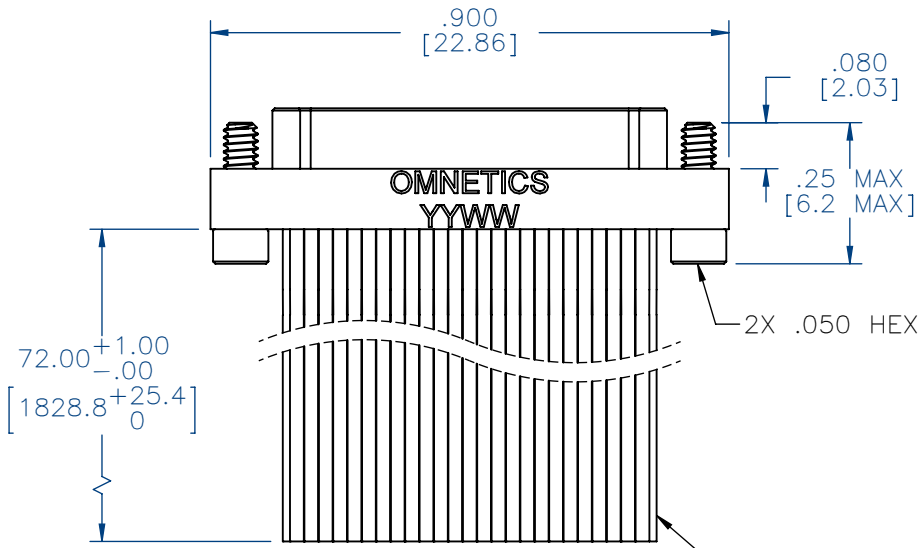
**PERFORMANCE:**  
PRODUCT FAMILY TESTED TO  
AND PASSED THE  
PERFORMANCE SPECIFICATIONS  
OF TABLE VIII OF MIL-DTL-32139



ACTUAL SIZE  
EXCLUDING WIRE LENGTH



SECTION A-A  
VIEW LESS HARDWARE



PIN #	COLOR
1, 11, 21, 31, 41, 51	BLACK
2, 12, 22, 32, 42	BROWN
3, 13, 23, 33, 43	RED
4, 14, 24, 34, 44	ORANGE
5, 15, 25, 35, 45	YELLOW
6, 16, 26, 36, 46	GREEN
7, 17, 27, 37, 47	BLUE
8, 18, 28, 38, 48	VIOLET
9, 19, 29, 39, 49	GRAY
10, 20, 30, 40, 50	WHITE

INTERNAL USE ONLY  
USE MFG LOADING  
PROCEDURE A28000-051

**NOTE:**

DIMENSIONS IN [ ] ARE IN  
MILLIMETERS UNLESS  
OTHERWISE NOTED AND ARE  
FOR REFERENCE ONLY

MNP O SLDW	THIRD ANGLE
	-TOLERANCES-
	UNLESS OTHERWISE NOTED
	DIMENSIONS IN INCHES
2	PL DEC ± .01
3	PL DEC ± .005
4	PL DEC ± .0005
	ANGLES ± 1°

THIS DRAWING CONTAINS CONFIDENTIAL AND PROPRIETARY INFORMATION WHICH IS THE PROPERTY OF OMNETICS CONNECTOR CORP. THIS DOCUMENT MAY NOT, IN WHOLE OR IN PART, BE DUPLICATED, OR DISCLOSED FOR ANY PURPOSE, WITHOUT WRITTEN PERMISSION FROM OMNETICS CONNECTOR CORP.	
DFTM. EDG	DATE 10-12-17
CHK'D.	DATE
APP'D.	DATE
TITLE: (51) PIN MALE Bi-Lobe® CONNECTOR	

**OMNETICS**  
CONNECTOR CORPORATION  
7260 COMMERCE CIRCLE EAST  
MINNEAPOLIS, MN 55432  
WWW.OMNETICS.COM

CAGE CODE 61873	
DWG NO. A28072-051	
SHEET 1 OF 1	REV A
SCALE: 3:1	