

# MATERIALS & SPECIFICATIONS

PART NO.	A28048-037	REV	ECO	DATE	APP
		A	99439	04-13-13	TLM

HOUSING:  
ALUMINUM 6061-T6, NICKEL PLATE  
PER SAE-AMS-2404

INSULATOR:  
LIQUID CRYSTAL POLYMER (LCP) PER  
ASTM D5138

CONTACT:  
BERYLLIUM COPPER PER ASTM B194,  
C17200, GOLD PLATED PER ASTM  
B488, (HARD GOLD) TYPE II CODE C,  
CLASS 1.27

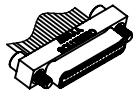
WIRE:  
NEMA HP3 TYPE ET, COLOR CODED  
IAW MIL-STD-681, SYSTEM 1, USING  
TEN SOLID REPEATING COLORS

HARDWARE:  
303 STAINLESS STEEL PER ASTM 582

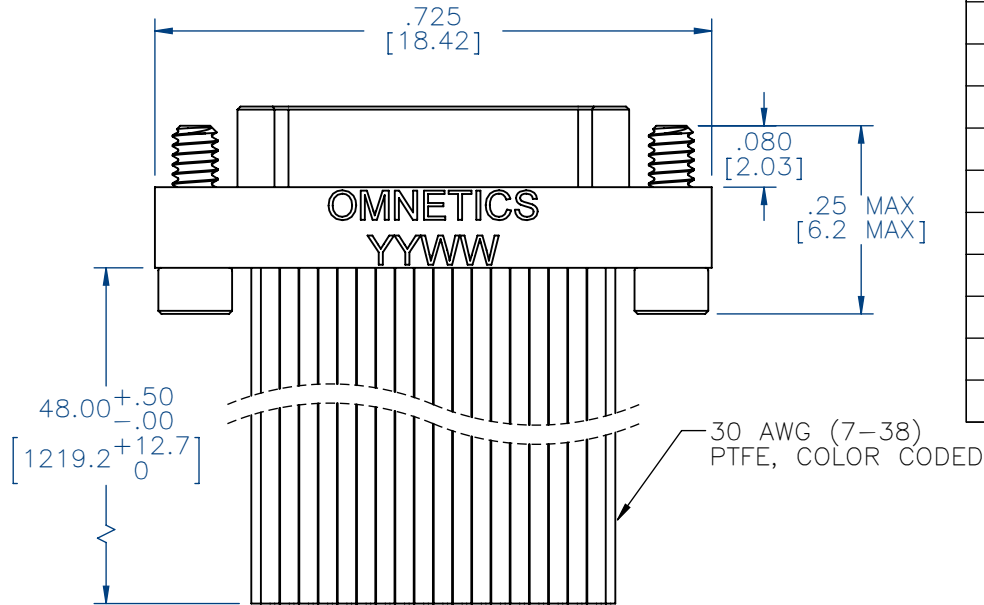
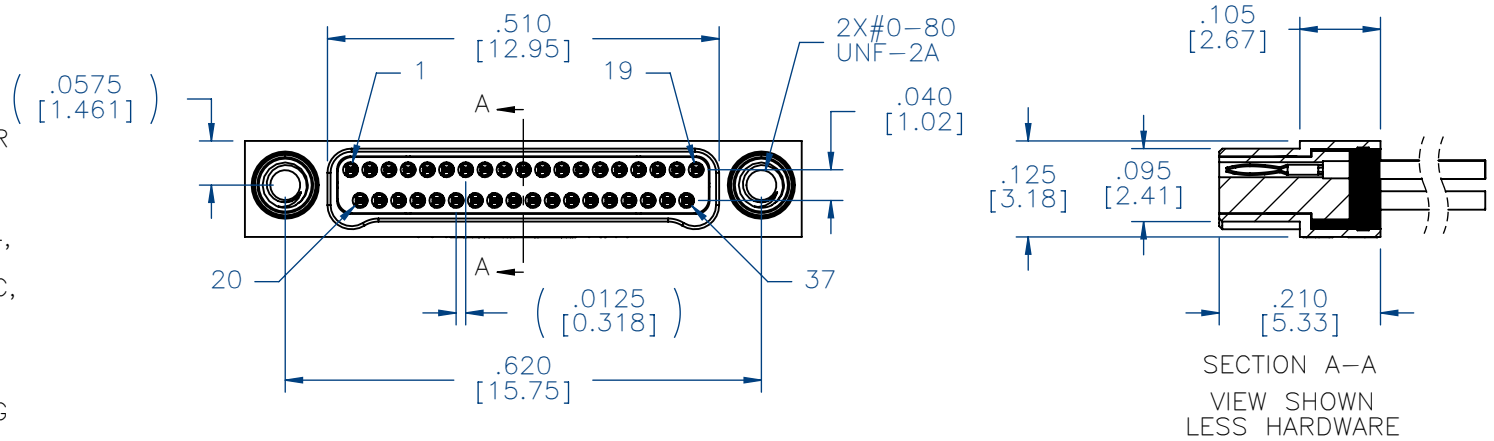
CURRENT RATING:  
1 AMP MAX PER MIL-DTL-32139

CONTACT RESISTANCE:  
71 MILLIOHM MAX (71mV DROP MAX)  
@ 1.0 AMPS PER MIL-DTL-32139

PERFORMANCE:  
PRODUCT FAMILY TESTED TO AND  
PASSED THE PERFORMANCE  
SPECIFICATIONS OF TABLE VIII OF  
MIL-DTL-32139



ACTUAL SIZE  
EXCLUDING WIRE LENGTH



PIN #	COLOR
1, 11, 21, 31	BLACK
2, 12, 22, 32	BROWN
3, 13, 23, 33	RED
4, 14, 24, 34	ORANGE
5, 15, 25, 35	YELLOW
6, 16, 26, 36	GREEN
7, 17, 27, 37	BLUE
8, 18, 28	VIOLET
9, 19, 29	GRAY
10, 20, 30	WHITE

INTERNAL USE ONLY  
SHEET 2 OF 2 IS A  
MFG LOADING DIAGRAM

NOTE:

DIMENSIONS IN [ ] ARE IN  
MILLIMETERS UNLESS  
OTHERWISE NOTED AND ARE  
FOR REFERENCE ONLY

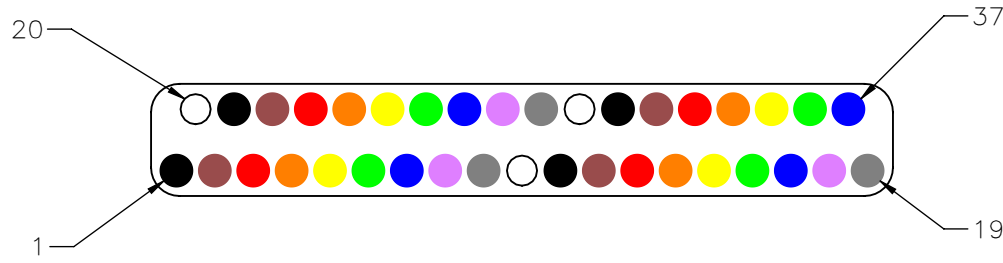
MFG	THIRD ANGLE
	UNLESS OTHERWISE NOTED
SLDW	DIMENSIONS IN INCHES
	2 PL DEC ± .01
	3 PL DEC ± .005
	4 PL DEC ± .0005
	ANGLES ± 1°

THIS DRAWING CONTAINS CONFIDENTIAL AND PROPRIETARY INFORMATION WHICH IS THE PROPERTY OF OMNETICS CONNECTOR CORP. THIS DOCUMENT MAY NOT, IN WHOLE OR IN PART, BE DUPLICATED, OR DISCLOSED FOR ANY PURPOSE, WITHOUT WRITTEN PERMISSION FROM OMNETICS CONNECTOR CORP.	
DFTM. TLM	DATE 04-13-13
CHK'D.	DATE
APP'D.	DATE
TITLE: (37) PIN MALE Bi-Lobe® CONNECTOR	

**OMNETICS**  
CONNECTOR CORPORATION  
7260 COMMERCE CIRCLE EAST  
MINNEAPOLIS, MN 55432  
WWW.OMNETICS.COM

CAGE CODE 61873	REV A
DWG NO. A28048-037	SCALE: 4:1
SHEET 1 OF 2	

PART NO.	A28048-037	REV	ECO	DATE	APP
		A	99439	04-13-13	TLM



PIN #	COLOR
1, 11, 21, 31	BLACK
2, 12, 22, 32	BROWN
3, 13, 23, 33	RED
4, 14, 24, 34	ORANGE
5, 15, 25, 35	YELLOW
6, 16, 26, 36	GREEN
7, 17, 27, 37	BLUE
8, 18, 28	VIOLET
9, 19, 29	GRAY
10, 20, 30	WHITE

MNP O SLDW	THIRD ANGLE	THIS DRAWING CONTAINS CONFIDENTIAL AND PROPRIETARY INFORMATION WHICH IS THE PROPERTY OF OMNETICS CONNECTOR CORP. THIS DOCUMENT MAY NOT, IN WHOLE OR IN PART, BE DUPLICATED, OR DISCLOSED FOR ANY PURPOSE, WITHOUT WRITTEN PERMISSION FROM OMNETICS CONNECTOR CORP.	DATE 04-13-13	TITLE: <b>(37) PIN MALE</b> Bi-Lobe® CONNECTOR	 <b>OMNETICS</b> CONNECTOR CORPORATION 7260 COMMERCE CIRCLE EAST MINNEAPOLIS, MN 55432 WWW.OMNETICS.COM	CAGE CODE <b>61873</b>
	-TOLERANCES- UNLESS OTHERWISE NOTED DIMENSIONS IN INCHES 2 PL DEC ± .01 3 PL DEC ± .005 4 PL DEC ± .0005 ANGLES ± 1°					DATE
		DFTM. TLM				SHEET 2 OF 2
		CHK'D.				REV A
		APP'D.				SCALE: 8:1