

# MATERIALS & SPECIFICATIONS

PART NO.	A28048-009	REV	ECO	DATE	APP
		A	99439	04-13-13	TLM

**HOUSING:**  
ALUMINUM 6061-T6, NICKEL PLATE  
PER SAE-AMS-2404

**INSULATOR:**  
LIQUID CRYSTAL POLYMER (LCP) PER  
ASTM D5138

**CONTACT:**  
BERYLLIUM COPPER PER ASTM B194,  
C17200, GOLD PLATED PER ASTM  
B488, (HARD GOLD) TYPE II CODE C,  
CLASS 1.27

**WIRE:**  
NEMA HP3 TYPE ET, COLOR CODED  
IAW MIL-STD-681, SYSTEM 1, USING  
TEN SOLID REPEATING COLORS

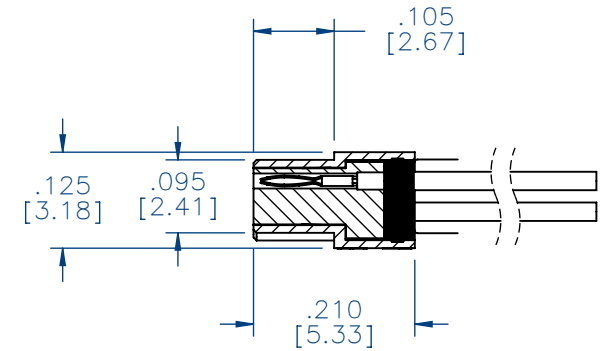
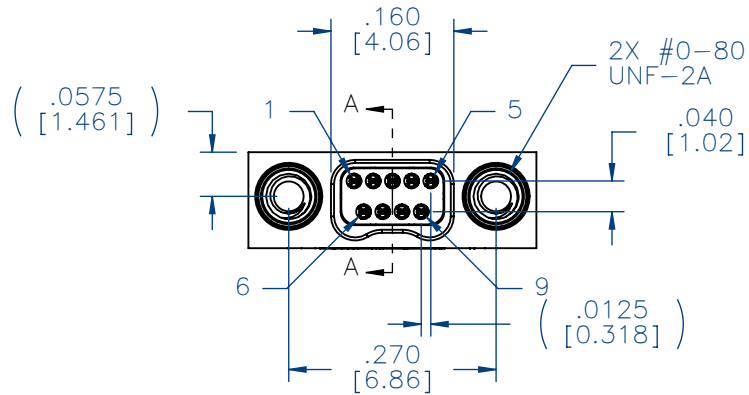
**HARDWARE:**  
303 STAINLESS STEEL PER ASTM 582

**CURRENT RATING:**  
1 AMP MAX PER MIL-DTL-32139

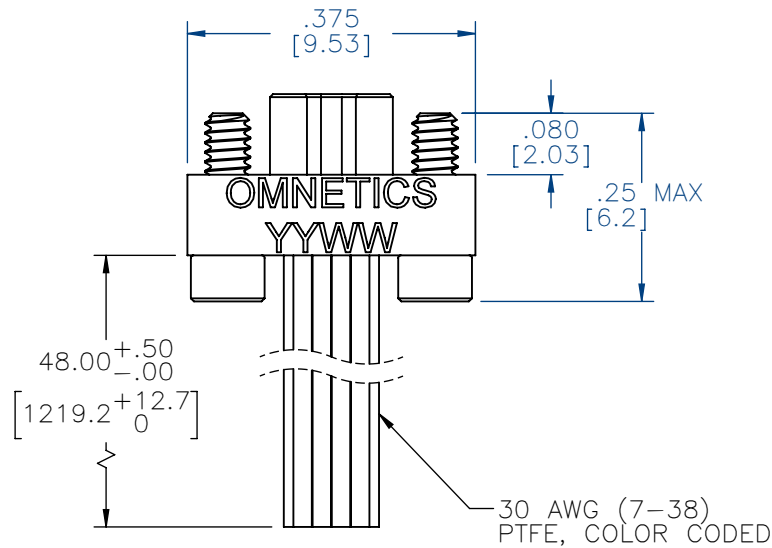
**CONTACT RESISTANCE:**  
71 MILLIOHM MAX (71mV DROP MAX)  
@ 1.0 AMPS PER MIL-DTL-32139

**PERFORMANCE:**  
PRODUCT FAMILY TESTED TO AND  
PASSED THE PERFORMANCE  
SPECIFICATIONS OF TABLE VIII OF  
MIL-DTL-32139

PIN #	COLOR
1	BLACK
2	BROWN
3	RED
4	ORANGE
5	YELLOW
6	GREEN
7	BLUE
8	VIOLET
9	GRAY



SECTION A-A  
VIEW LESS HARDWARE



ACTUAL SIZE  
EXCLUDING WIRE LENGTH

INTERNAL USE ONLY

SHEET 2 OF 2 IS A  
MFG LOADING DIAGRAM

**NOTE:**

DIMENSIONS IN [ ] ARE IN  
MILLIMETERS UNLESS  
OTHERWISE NOTED AND ARE  
FOR REFERENCE ONLY

MFG	THIRD ANGLE
	-TOLERANCES-
	UNLESS OTHERWISE NOTED
	DIMENSIONS IN INCHES
	2 PL DEC ± .01
3 PL DEC ± .005	
4 PL DEC ± .0005	
ANGLES ± 1°	

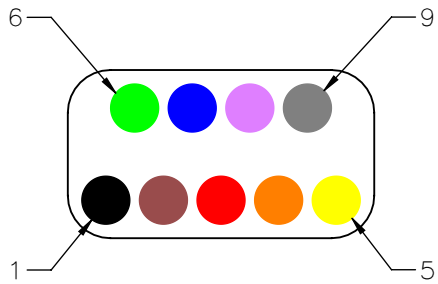
THIS DRAWING CONTAINS CONFIDENTIAL AND PROPRIETARY INFORMATION WHICH IS THE PROPERTY OF OMNETICS CONNECTOR CORP. THIS DOCUMENT MAY NOT, IN WHOLE OR IN PART, BE DUPLICATED, OR DISCLOSED FOR ANY PURPOSE, WITHOUT WRITTEN PERMISSION FROM OMNETICS CONNECTOR CORP.	
DFTM. TLM	DATE 04-13-13
CHK'D.	DATE
APP'D.	DATE

TITLE:  
**(9) PIN MALE**  
**Bi-Lobe® CONNECTOR**

**OMNETICS**  
CONNECTOR CORPORATION  
7260 COMMERCE CIRCLE EAST  
MINNEAPOLIS, MN 55432  
WWW.OMNETICS.COM

CAGE CODE <b>61873</b>
DWG NO. <b>A28048-009</b>
SHEET 1 OF 2
SCALE: 4:1
REV A

PART NO.	A28048-009	REV	ECO	DATE	APP
		A	99439	04-13-13	TLM



PIN #	COLOR
1	BLACK
2	BROWN
3	RED
4	ORANGE
5	YELLOW
6	GREEN
7	BLUE
8	VIOLET
9	GRAY

MNDW	THIRD ANGLE	THIS DRAWING CONTAINS CONFIDENTIAL AND PROPRIETARY INFORMATION WHICH IS THE PROPERTY OF OMNETICS CONNECTOR CORP. THIS DOCUMENT MAY NOT, IN WHOLE OR IN PART, BE DUPLICATED, OR DISCLOSED FOR ANY PURPOSE, WITHOUT WRITTEN PERMISSION FROM OMNETICS CONNECTOR CORP.	DATE 04-13-13	TITLE: <b>(9) PIN MALE</b> <b>Bi-Lobe® CONNECTOR</b>	CAGE CODE <b>61873</b>
	UNLESS OTHERWISE NOTED				
SLDW	DIMENSIONS IN INCHES	DFTM. TLM	DATE	DATE	SHEET 2 OF 2
	2 PL DEC ± .01 3 PL DEC ± .005 4 PL DEC ± .0005 ANGLES ± 1°	CHK'D.	DATE	DATE	REV A
		APP'D.			SCALE: 12:1

**OMNETICS**  
CONNECTOR CORPORATION  
7260 COMMERCE CIRCLE EAST  
MINNEAPOLIS, MN 55432  
WWW.OMNETICS.COM