

**MATERIALS & SPECIFICATIONS**

HOUSING:  
ALUMINUM 6061-T6, NICKEL PLATE PER SAE-AMS-2404 (.0575 [1.461])

INSULATOR:  
LIQUID CRYSTAL POLYMER (LCP) PER ASTM D5138

CONTACT:  
BERYLLIUM COPPER PER ASTM B194, C17200, GOLD PLATED PER ASTM B488, (HARD GOLD) TYPE II CODE C, CLASS 1.27

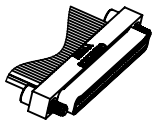
WIRE:  
NEMA HP3 TYPE ET, COLOR CODED IAW MIL-STD-681, SYSTEM 1, USING TEN SOLID REPEATING COLORS

HARDWARE:  
303 STAINLESS STEEL PER ASTM 582

CURRENT RATING:  
1 AMP MAX PER MIL-DTL-32139

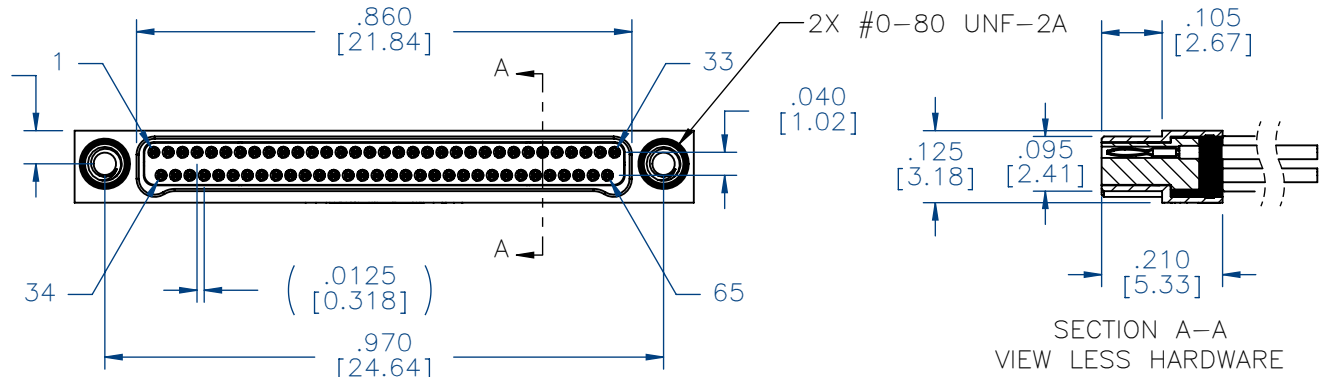
CONTACT RESISTANCE:  
71 MILLIOHM MAX (71mV DROP MAX) @ 1.0 AMPS PER MIL-DTL-32139

PERFORMANCE:  
PRODUCT FAMILY TESTED TO AND PASSED THE PERFORMANCE SPECIFICATIONS OF TABLE VIII OF MIL-DTL-32139



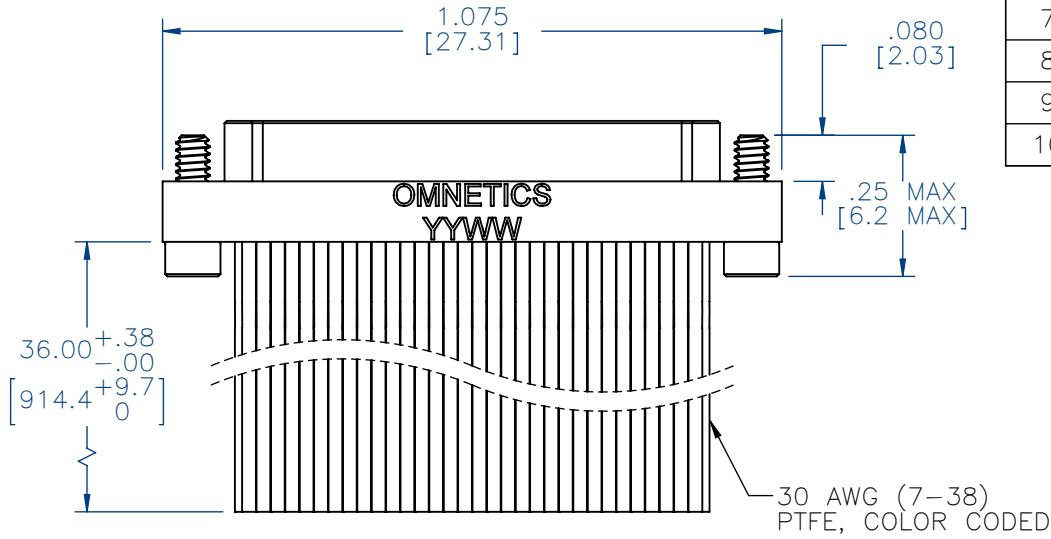
ACTUAL SIZE EXCLUDING WIRE LENGTH

PART NO.	A28036-065	REV	ECO	DATE	APP
		A	98849	09-05-12	TLM



PIN #	COLOR
1, 11, 21, 31, 41, 51, 61	BLACK
2, 12, 22, 32, 42, 52, 62	BROWN
3, 13, 23, 33, 43, 53, 63	RED
4, 14, 24, 34, 44, 54, 64	ORANGE
5, 15, 25, 35, 45, 55, 65	YELLOW
6, 16, 26, 36, 46, 56	GREEN
7, 17, 27, 37, 47, 57	BLUE
8, 18, 28, 38, 48, 58	VIOLET
9, 19, 29, 39, 49, 59	GRAY
10, 20, 30, 40, 50, 60	WHITE

INTERNAL USE ONLY  
SHEET 2 OF 2 IS A MFG LOADING DIAGRAM



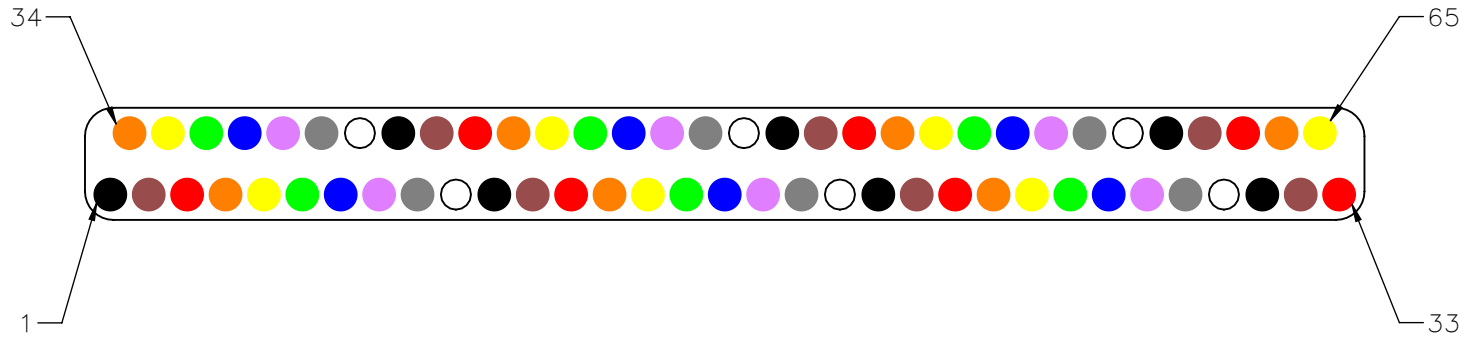
NOTE:  
DIMENSIONS IN [ ] ARE IN MILLIMETERS UNLESS OTHERWISE NOTED AND ARE FOR REFERENCE ONLY

MFG S/DW	THIRD ANGLE	THIS DRAWING CONTAINS CONFIDENTIAL AND PROPRIETARY INFORMATION WHICH IS THE PROPERTY OF OMNETICS CONNECTOR CORPORATION. THIS DOCUMENT MAY NOT, IN WHOLE OR IN PART, BE DUPLICATED, OR DISCLOSED FOR ANY PURPOSE, WITHOUT WRITTEN PERMISSION FROM OMNETICS CONNECTOR CORP.	DFTM.	TLM	DATE	07-31-12	TITLE:	(65) PIN MALE
	-TOLERANCES-		CHK'D.	DATE		Bi-Lobe® CONNECTOR		
	UNLESS OTHERWISE NOTED		APP'D.	DATE				
	DIMENSIONS IN INCHES							
	2 PL DEC ± .01							
	3 PL DEC ± .005							
	4 PL DEC ± .0005							
	ANGLES ± 1°							

**OMNETICS**  
CONNECTOR CORPORATION  
7260 COMMERCE CIRCLE EAST  
MINNEAPOLIS, MN 55432  
WWW.OMNETICS.COM

CAGE CODE	61873
DWG NO.	A28036-065
SHEET 1 OF 2	REV A
SCALE:	3:1

PART NO.	A28036-065	REV	ECO	DATE	APP
		A	98849	09-05-12	TLM



PIN #	COLOR
1, 11, 21, 31, 41, 51, 61	BLACK
2, 12, 22, 32, 42, 52, 62	BROWN
3, 13, 23, 33, 43, 53, 63	RED
4, 14, 24, 34, 44, 54, 64	ORANGE
5, 15, 25, 35, 45, 55, 65	YELLOW
6, 16, 26, 36, 46, 56	GREEN
7, 17, 27, 37, 47, 57	BLUE
8, 18, 28, 38, 48, 58	VIOLET
9, 19, 29, 39, 49, 59	GRAY
10, 20, 30, 40, 50, 60	WHITE

MNP PO	THIRD ANGLE	THIS DRAWING CONTAINS CONFIDENTIAL AND PROPRIETARY INFORMATION WHICH IS THE PROPERTY OF OMNETICS CONNECTOR CORP. THIS DOCUMENT MAY NOT, IN WHOLE OR IN PART, BE DUPLICATED, OR DISCLOSED FOR ANY PURPOSE, WITHOUT WRITTEN PERMISSION FROM OMNETICS CONNECTOR CORP.		CAGE CODE <b>61873</b>
	SLDW	-TOLERANCES- UNLESS OTHERWISE NOTED	DFTM. TLM	
	DIMENSIONS IN INCHES	DATE 07-31-12	TITLE: (65) PIN MALE	SHEET 2 OF 2
	2 PL DEC ± .01	DATE	Bi-Lobe® CONNECTOR	REV A
	3 PL DEC ± .005	DATE		SCALE: 8:1
	4 PL DEC ± .0005	DATE		
	ANGLES ± 1°	DATE		

**OMNETICS**  
CONNECTOR CORPORATION  
7260 COMMERCE CIRCLE EAST  
MINNEAPOLIS, MN 55432  
WWW.OMNETICS.COM