

MATERIALS & SPECIFICATIONS

PART NO.	A28036-051	REV	ECO	DATE	APP
		A	98849	09-05-12	TLM

HOUSING:
ALUMINUM 6061-T6, NICKEL
PLATE PER SAE-AMS-2404

INSULATOR:
LIQUID CRYSTAL POLYMER (LCP)
PER ASTM D5138

CONTACT:
BERYLLIUM COPPER PER ASTM
B194, C17200, GOLD PLATED PER
ASTM B488, (HARD GOLD) TYPE II
CODE C, CLASS 1.27

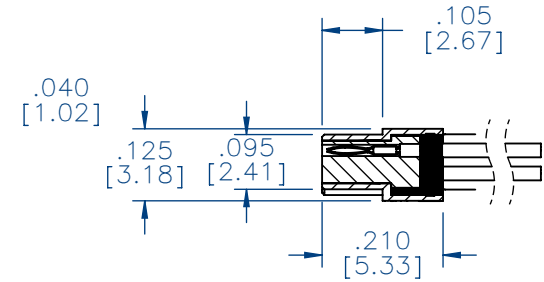
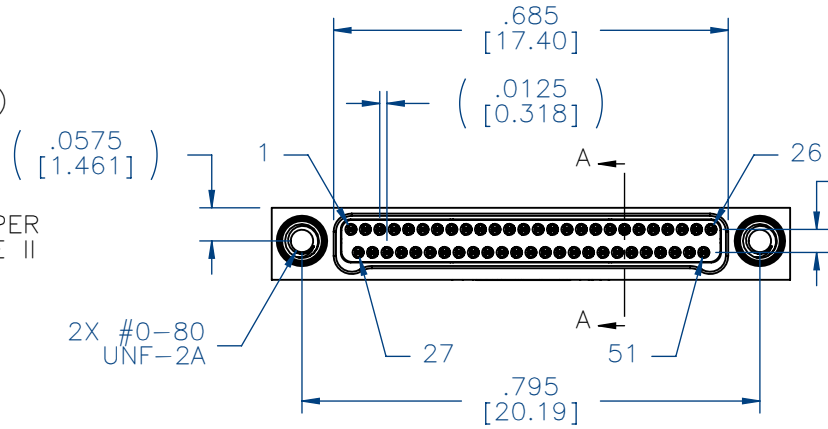
WIRE:
NEMA HP3 TYPE ET, COLOR
CODED IAW MIL-STD-681,
SYSTEM 1, USING TEN SOLID
REPEATING COLORS

HARDWARE:
303 STAINLESS STEEL PER ASTM
582

CURRENT RATING:
1 AMP MAX PER MIL-DTL-32139

CONTACT RESISTANCE:
71 MILLIOHM MAX (71mV DROP
MAX) @ 1.0 AMPS PER MIL-DTL-
32139

PERFORMANCE:
PRODUCT FAMILY TESTED TO AND
PASSED THE PERFORMANCE
SPECIFICATIONS OF TABLE VIII OF
MIL-DTL-32139

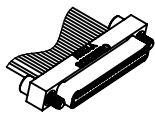
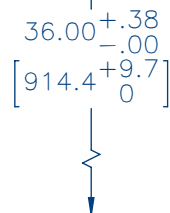
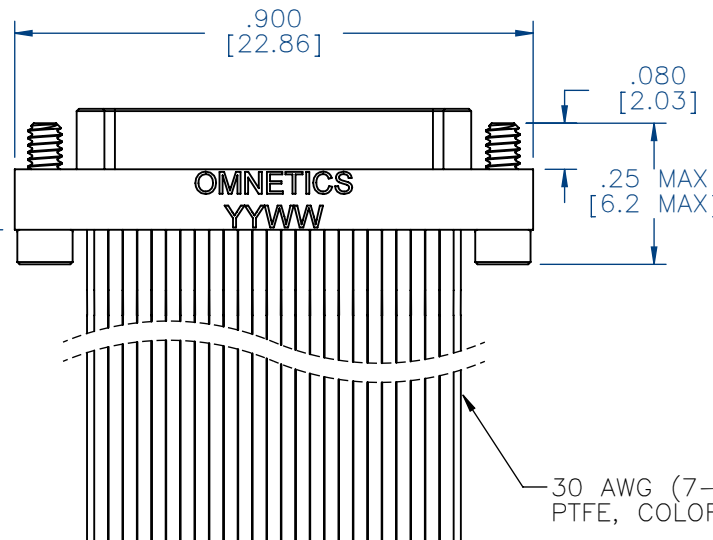


SECTION A-A
VIEW LESS HARDWARE

PIN #	COLOR
1, 11, 21, 31, 41, 51	BLACK
2, 12, 22, 32, 42	BROWN
3, 13, 23, 33, 43	RED
4, 14, 24, 34, 44	ORANGE
5, 15, 25, 35, 45	YELLOW
6, 16, 26, 36, 46	GREEN
7, 17, 27, 37, 47	BLUE
8, 18, 28, 38, 48	VIOLET
9, 19, 29, 39, 49	GRAY
10, 20, 30, 40, 50	WHITE

INTERNAL USE ONLY

SHEET 2 OF 2 IS A
MFG LOADING DIAGRAM



ACTUAL SIZE
EXCLUDING WIRE LENGTH

NOTE:

DIMENSIONS IN [] ARE IN
MILLIMETERS UNLESS
OTHERWISE NOTED AND ARE
FOR REFERENCE ONLY

MNP SLDW	THIRD ANGLE
	-TOLERANCES-
	UNLESS OTHERWISE NOTED
	DIMENSIONS IN INCHES
2	PL DEC ± .01
3	PL DEC ± .005
4	PL DEC ± .0005
	ANGLES ± 1°

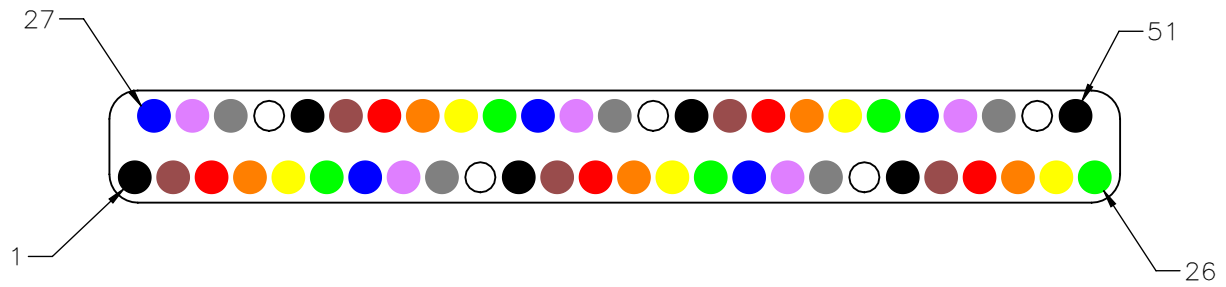
THIS DRAWING CONTAINS CONFIDENTIAL AND PROPRIETARY INFORMATION WHICH IS THE PROPERTY OF OMNETICS CONNECTOR CORP. THIS DOCUMENT MAY NOT, IN WHOLE OR IN PART, BE DUPLICATED, OR DISCLOSED FOR ANY PURPOSE, WITHOUT WRITTEN PERMISSION FROM OMNETICS CONNECTOR CORP.	
DFTM. TLM	DATE 07-31-12
CHK'D.	DATE
APP'D.	DATE
TITLE: (51) PIN MALE Bi-Lobe® CONNECTOR	

OMNETICS
CONNECTOR CORPORATION
7260 COMMERCE CIRCLE EAST
MINNEAPOLIS, MN 55432
WWW.OMNETICS.COM

CAGE CODE	61873
DWG NO.	A28036-051
SHEET 1 OF 2	REV A
SCALE:	3:1

REF: OMNETICS

PART NO.	A28036-051	REV	ECO	DATE	APP
		A	98849	09-05-12	TLM



PIN #	COLOR
1, 11, 21, 31, 41, 51	BLACK
2, 12, 22, 32, 42	BROWN
3, 13, 23, 33, 43	RED
4, 14, 24, 34, 44	ORANGE
5, 15, 25, 35, 45	YELLOW
6, 16, 26, 36, 46	GREEN
7, 17, 27, 37, 47	BLUE
8, 18, 28, 38, 48	VIOLET
9, 19, 29, 39, 49	GRAY
10, 20, 30, 40, 50	WHITE

MNP PO SLDW	THIRD ANGLE
	-TOLERANCES- UNLESS OTHERWISE NOTED
	DIMENSIONS IN INCHES
	2 PL DEC ± .01 3 PL DEC ± .005 4 PL DEC ± .0005 ANGLES ± 1°

THIS DRAWING CONTAINS CONFIDENTIAL AND PROPRIETARY INFORMATION WHICH IS THE PROPERTY OF OMNETICS CONNECTOR CORP. THIS DOCUMENT MAY NOT, IN WHOLE OR IN PART, BE DUPLICATED, OR DISCLOSED FOR ANY PURPOSE, WITHOUT WRITTEN PERMISSION FROM OMNETICS CONNECTOR CORP.	
DFTM. TLM	DATE 07-31-12
CHK'D.	DATE
APP'D.	DATE

TITLE:
(51) PIN MALE
Bi-Lobe® CONNECTOR

OMNETICS
CONNECTOR CORPORATION
7260 COMMERCE CIRCLE EAST
MINNEAPOLIS, MN 55432
WWW.OMNETICS.COM

CAGE CODE 61873	REV
DWG NO. A28036-051	A
SHEET 2 OF 2	SCALE: 8:1