

# MATERIALS & SPECIFICATIONS

PART NO.	A28036-021	REV	ECO	DATE	APP
		A	98849	09-05-12	TLM

HOUSING:  
ALUMINUM 6061-T6, NICKEL PLATE PER  
SAE-AMS-2404

INSULATOR:  
LIQUID CRYSTAL POLYMER (LCP) PER  
ASTM D5138

CONTACT:  
BERYLLIUM COPPER PER ASTM B194,  
C17200, GOLD PLATED PER ASTM  
B488, (HARD GOLD) TYPE II CODE C,  
CLASS 1.27

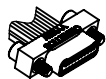
WIRE:  
NEMA HP3 TYPE ET, COLOR CODED IAW  
MIL-STD-681, SYSTEM 1, USING TEN  
SOLID REPEATING COLORS

HARDWARE:  
303 STAINLESS STEEL PER ASTM 582

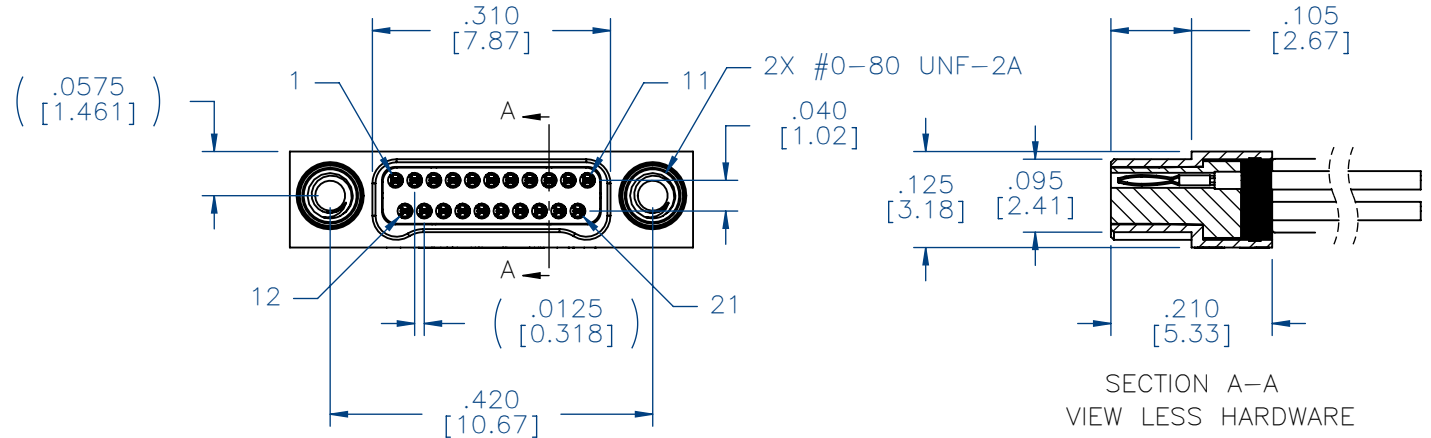
CURRENT RATING:  
1 AMP MAX PER MIL-DTL-32139

CONTACT RESISTANCE:  
71 MILLIOHM MAX (71mV DROP MAX)  
@ 1.0 AMPS PER MIL-DTL-32139

PERFORMANCE:  
PRODUCT FAMILY TESTED TO AND  
PASSED THE PERFORMANCE  
SPECIFICATIONS OF TABLE VIII OF  
MIL-DTL-32139

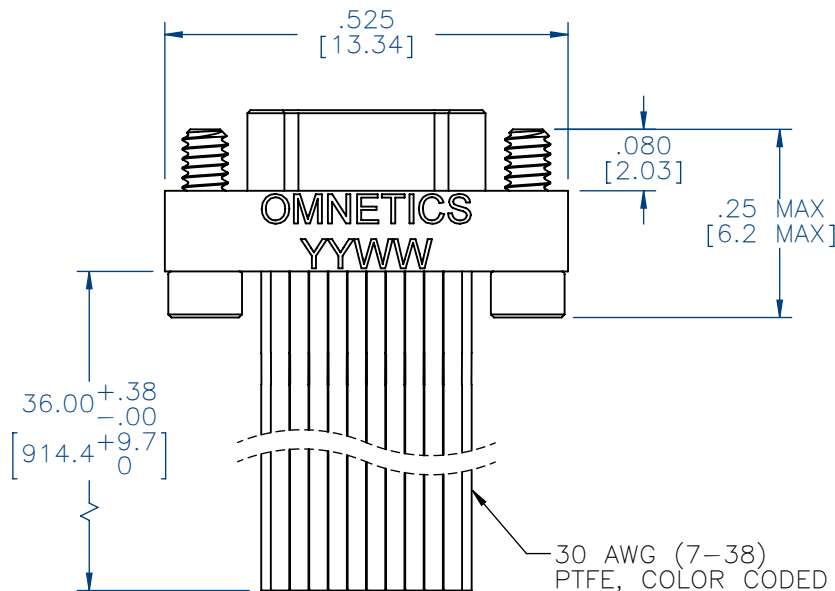


ACTUAL SIZE  
EXCLUDING WIRE LENGTH



SECTION A-A  
VIEW LESS HARDWARE

PIN #	COLOR
1, 11, 21	BLACK
2, 12	BROWN
3, 13	RED
4, 14	ORANGE
5, 15	YELLOW
6, 16	GREEN
7, 17	BLUE
8, 18	VIOLET
9, 19	GRAY
10, 20	WHITE



INTERNAL USE ONLY

SHEET 2 OF 2 IS A  
MFG LOADING DIAGRAM

NOTE:

DIMENSIONS IN [ ] ARE IN  
MILLIMETERS UNLESS  
OTHERWISE NOTED AND ARE  
FOR REFERENCE ONLY

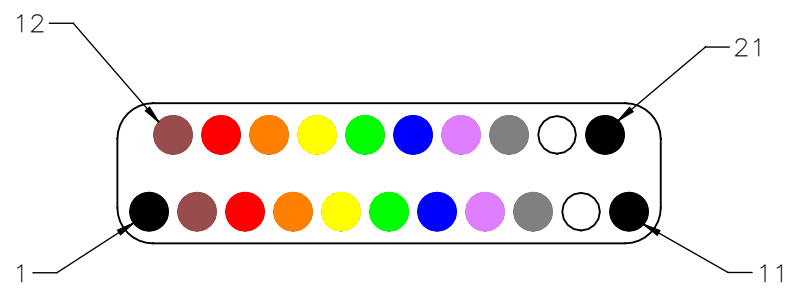
MNP/D	THIRD ANGLE
	-TOLERANCES-
SLDW	UNLESS OTHERWISE NOTED
	DIMENSIONS IN INCHES
	2 PL DEC ± .01
	3 PL DEC ± .005
	4 PL DEC ± .0005
	ANGLES ± 1°

THIS DRAWING CONTAINS CONFIDENTIAL AND PROPRIETARY INFORMATION WHICH IS THE PROPERTY OF OMNETICS CONNECTOR CORP. THIS DOCUMENT MAY NOT, IN WHOLE OR IN PART, BE DUPLICATED, OR DISCLOSED FOR ANY PURPOSE, WITHOUT WRITTEN PERMISSION FROM OMNETICS CONNECTOR CORP.	
DFTM. TLM	DATE 07-31-12
CHK'D.	DATE
APP'D.	DATE
TITLE: (21) PIN MALE Bi-Lobe® CONNECTOR	

**OMNETICS**  
CONNECTOR CORPORATION  
7260 COMMERCE CIRCLE EAST  
MINNEAPOLIS, MN 55432  
WWW.OMNETICS.COM

CAGE CODE 61873	REV
DWG NO. A28036-021	A
SHEET 1 OF 2	
SCALE: 4:1	

PART NO.	A28036-021	REV	ECO	DATE	APP
		A	98849	09-05-12	TLM



PIN #	COLOR
1, 11, 21	BLACK
2, 12	BROWN
3, 13	RED
4, 14	ORANGE
5, 15	YELLOW
6, 16	GREEN
7, 17	BLUE
8, 18	VIOLET
9, 19	GRAY
10, 20	WHITE

MNP O SLDW	THIRD ANGLE
	-TOLERANCES-
	UNLESS OTHERWISE NOTED
	DIMENSIONS IN INCHES

THIS DRAWING CONTAINS CONFIDENTIAL AND PROPRIETARY INFORMATION WHICH IS THE PROPERTY OF OMNETICS CONNECTOR CORP. THIS DOCUMENT MAY NOT, IN WHOLE OR IN PART, BE DUPLICATED, OR DISCLOSED FOR ANY PURPOSE, WITHOUT WRITTEN PERMISSION FROM OMNETICS CONNECTOR CORP.	
DFTM. TLM	DATE 07-31-12
CHK'D.	DATE
APP'D.	DATE

TITLE:  
**(21) PIN MALE**  
**Bi-Lobe® CONNECTOR**

**OMNETICS**  
CONNECTOR CORPORATION  
7260 COMMERCE CIRCLE EAST  
MINNEAPOLIS, MN 55432  
WWW.OMNETICS.COM

CAGE CODE <b>61873</b>
DWG NO. <b>A28036-021</b>
SHEET 2 OF 2
SCALE: 10:1
REV A