

MATERIALS & SPECIFICATIONS

PART NO.	A28000-015	REV	ECO	DATE	APP
		G	101526	04-24-15	TLM

HOUSING:
ALUMINUM 6061-T6, NICKEL PLATE
PER SAE-AMS-2404

INSULATOR:
LIQUID CRYSTAL POLYMER (LCP) PER
ASTM D5138 (.0575
[1.461])

CONTACT:
BERYLLIUM COPPER PER ASTM B194,
C17200, GOLD PLATED PER ASTM
B488, (HARD GOLD) TYPE II CODE C,
CLASS 1.27

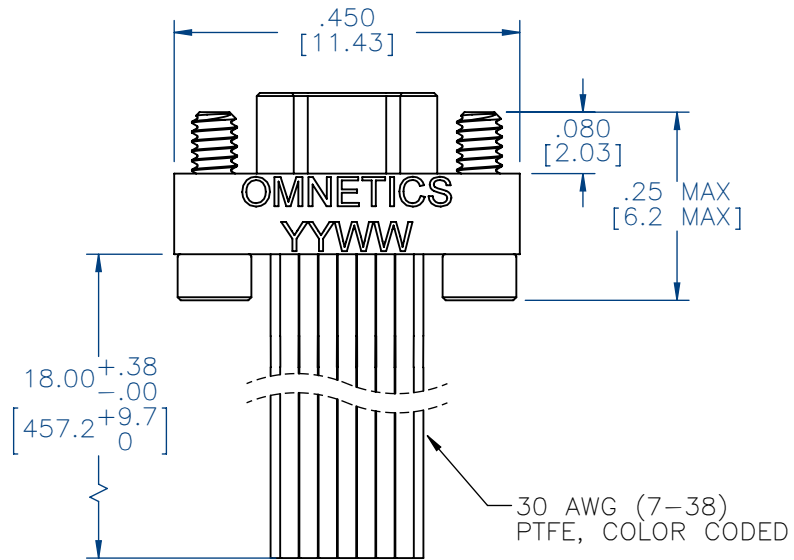
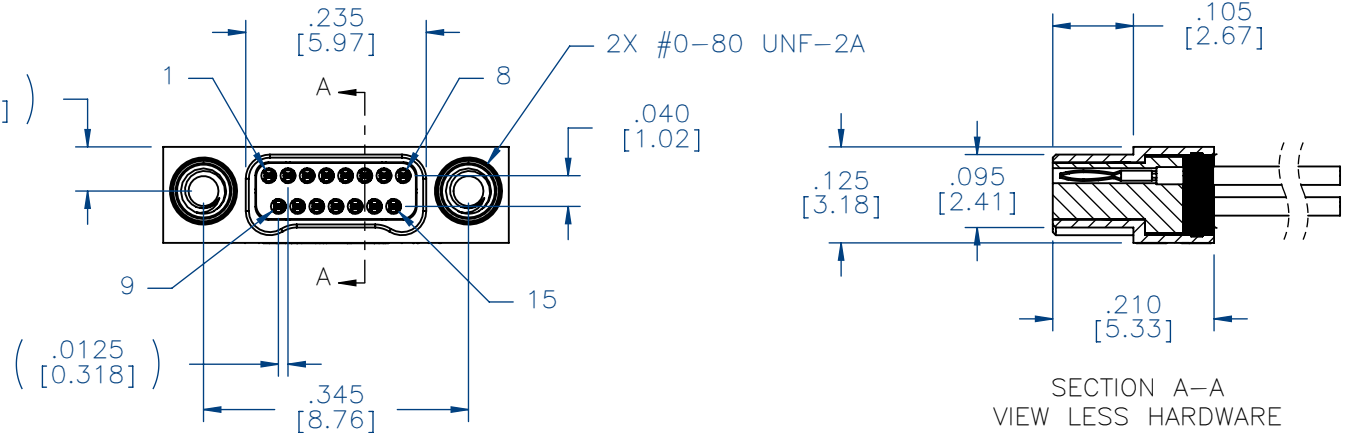
WIRE:
NEMA HP3 TYPE ET, COLOR CODED
IAW MIL-STD-681, SYSTEM 1, USING
TEN SOLID REPEATING COLORS

HARDWARE:
303 STAINLESS STEEL PER ASTM 582

CURRENT RATING:
1 AMP MAX PER MIL-DTL-32139

CONTACT RESISTANCE:
71 MILLIOHM MAX (71mV DROP MAX)
@ 1.0 AMPS PER MIL-DTL-32139

PERFORMANCE:
PRODUCT FAMILY TESTED TO AND
PASSED THE PERFORMANCE
SPECIFICATIONS OF TABLE VIII OF
MIL-DTL-32139



ACTUAL SIZE
EXCLUDING WIRE LENGTH

PIN #	COLOR
1, 11	BLACK
2, 12	BROWN
3, 13	RED
4, 14	ORANGE
5, 15	YELLOW
6	GREEN
7	BLUE
8	VIOLET
9	GRAY
10	WHITE

INTERNAL USE ONLY
SHEET 2 OF 2 IS A
MFG LOADING DIAGRAM

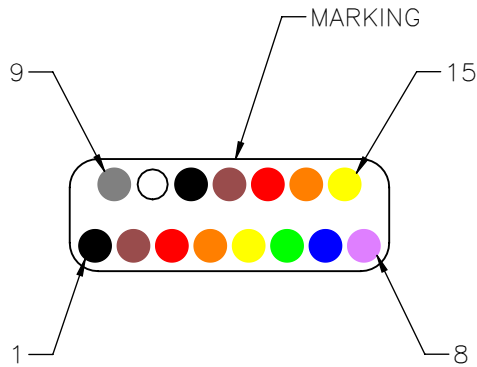
MFG S/DW	THIRD ANGLE
	-TOLERANCES-
	UNLESS OTHERWISE NOTED
	DIMENSIONS IN INCHES
2	PL DEC ± .01
3	PL DEC ± .005
4	PL DEC ± .0005
	ANGLES ± 1°

THIS DRAWING CONTAINS CONFIDENTIAL AND PROPRIETARY INFORMATION WHICH IS THE PROPERTY OF OMNETICS CONNECTOR CORP. THIS DOCUMENT MAY NOT, IN WHOLE OR IN PART, BE DUPLICATED, OR DISCLOSED FOR ANY PURPOSE, WITHOUT WRITTEN PERMISSION FROM OMNETICS CONNECTOR CORP.	
DFTM. AAS	DATE 05-05-04
CHK'D.	DATE
APP'D.	DATE
TITLE: (15) PIN MALE Bi-Lobe® CONNECTOR	

OMNETICS
CONNECTOR CORPORATION
7260 COMMERCE CIRCLE EAST
MINNEAPOLIS, MN 55432
WWW.OMNETICS.COM

CAGE CODE 61873
DWG NO. A28000-015
SHEET 1 OF 2
SCALE: 4:1
REV G

PART NO.	A28000-015	REV	ECO	DATE	APP
		G	101526	04-24-15	TLM



PIN #	COLOR
1, 11	BLACK
2, 12	BROWN
3, 13	RED
4, 14	ORANGE
5, 15	YELLOW
6	GREEN
7	BLUE
8	VIOLET
9	GRAY
10	WHITE

MNP DW	THIRD ANGLE	THIS DRAWING CONTAINS CONFIDENTIAL AND PROPRIETARY INFORMATION WHICH IS THE PROPERTY OF OMNETICS CONNECTOR CORP. THIS DOCUMENT MAY NOT, IN WHOLE OR IN PART, BE DUPLICATED, OR DISCLOSED FOR ANY PURPOSE, WITHOUT WRITTEN PERMISSION FROM OMNETICS CONNECTOR CORP.	DATE 05-05-04	TITLE: (15) PIN MALE Bi-Lobe® CONNECTOR	 7260 COMMERCE CIRCLE EAST MINNEAPOLIS, MN 55432 WWW.OMNETICS.COM	CAGE CODE 61873
	-TOLERANCES- UNLESS OTHERWISE NOTED DIMENSIONS IN INCHES 2 PL DEC ± .01 3 PL DEC ± .005 4 PL DEC ± .0005 ANGLES ± 1°					DATE
						SHEET 2 OF 2
						SCALE: 8:1
						REV G