

MATERIALS & SPECIFICATIONS

PART NO.	A25002-018	REV	ECO	DATE	APP
		A	99444	04-13-13	TLM

INSULATOR:
 THERMOPLASTIC PER
 MIL-M-24519, TYPE
 GLCP-30F OR TYPE
 GST-40F

CONTACT:
 COPPER ALLOY PER
 MIL-DTL-83513, GOLD
 PLATED PER ASTM
 B488, (HARD GOLD)
 TYPE II CODE C CLASS
 1.27

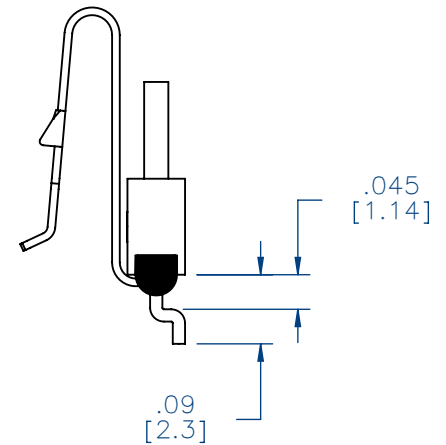
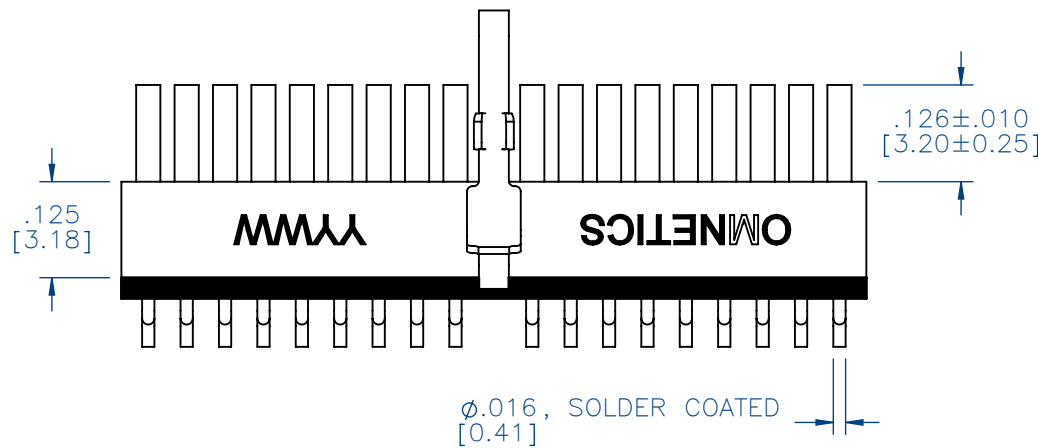
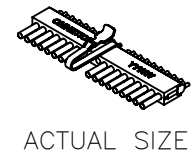
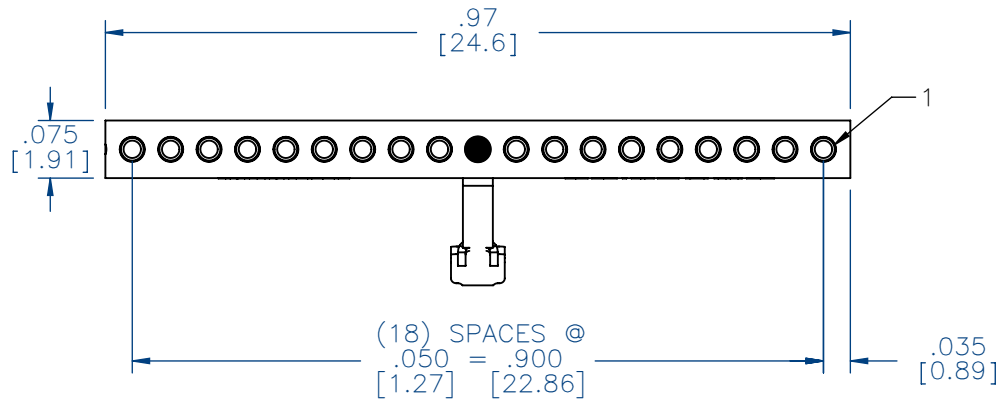
TERMINATION:
 SOLDER PER J-STD-
 006

LATCH SPRING:
 BERYLLIUM COPPER
 PER ASTM B194 NICKEL
 PLATE PER SAE-AMS-
 2404

CURRENT CAPACITY:
 3 AMP MAX

CONTACT RESISTANCE:
 26 MILLIOHMS (65mV)
 MAX @ 2.5 AMPS

PERFORMANCE:
 PRODUCT FAMILY
 TESTED TO AND PASSED
 THE PERFORMANCE
 SPECIFICATIONS OF
 TABLE VII OF MIL-DTL-
 83513



NOTE:
 DIMENSIONS IN [] ARE IN
 MILLIMETERS UNLESS
 OTHERWISE NOTED AND ARE
 FOR REFERENCE ONLY

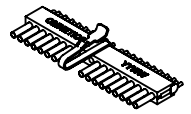
SSB SLDW	THIRD ANGLE	THIS DRAWING CONTAINS CONFIDENTIAL AND PROPRIETARY INFORMATION WHICH IS THE PROPERTY OF OMNETICS CONNECTOR CORP. THIS DOCUMENT MAY NOT, IN WHOLE OR IN PART, BE DUPLICATED, OR DISCLOSED FOR ANY PURPOSE, WITHOUT WRITTEN PERMISSION FROM OMNETICS CONNECTOR CORP.	
	-TOLERANCES-	DFTM. JM	DATE 04-01-13
	UNLESS OTHERWISE NOTED	CHK'D.	DATE
	DIMENSIONS IN INCHES	APP'D.	DATE
2 PL DEC± .01			
3 PL DEC± .005			
4 PL DEC± .0005			
ANGLES ± 1°			

TITLE:
 (18) SOCKET FEMALE
 SINGLE ROW CONNECTOR
 W/LATCH

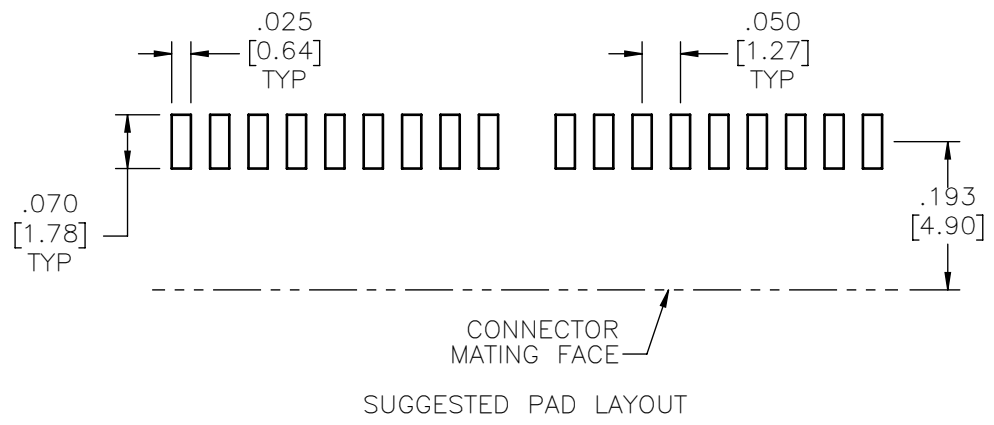
OMNETICS
 CONNECTOR CORPORATION
 7260 COMMERCE CIRCLE EAST
 MINNEAPOLIS, MN 55432
 WWW.OMNETICS.COM

CAGE CODE 61873
DWG NO. A25002-018
SHEET 1 OF 2
SCALE: 4:1
REV A

PART NO.	A25002-018	REV	ECO	DATE	APP
		A	99444	04-13-13	TLM



ACTUAL SIZE



SSB	THIRD ANGLE	THIS DRAWING CONTAINS CONFIDENTIAL AND PROPRIETARY INFORMATION WHICH IS THE PROPERTY OF OMNETICS CONNECTOR CORP. THIS DOCUMENT MAY NOT, IN WHOLE OR IN PART, BE DUPLICATED, OR DISCLOSED FOR ANY PURPOSE, WITHOUT WRITTEN PERMISSION FROM OMNETICS CONNECTOR CORP.		TITLE: (18) SOCKET FEMALE SINGLE ROW CONNECTOR W/LATCH	OMNETICS CONNECTOR CORPORATION 7260 COMMERCE CIRCLE EAST MINNEAPOLIS, MN 55432 WWW.OMNETICS.COM	CAGE CODE 61873
	—TOLERANCES— UNLESS OTHERWISE NOTED	DFTM. JMJ	DATE 04-01-13			DWG NO. A25002-018
SLDW	DIMENSIONS IN INCHES	CHK'D.	DATE			SHEET 2 OF 2
	2 PL DEC ± .01 3 PL DEC ± .005 4 PL DEC ± .0005 ANGLES ± 1°	APP'D.	DATE			REV A
						SCALE: 4:1