

MATERIALS & SPECIFICATIONS

INSULATOR:  
THERMOPLASTIC PER MIL-  
M-24519, TYPE GLCP-30F  
OR TYPE GST-40F

CONTACT:  
COPPER ALLOY PER MIL-  
DTL-83513, GOLD PLATED  
PER ASTM B488, (HARD  
GOLD) TYPE II CODE C  
CLASS 1.27

TERMINATION:  
SOLDER PER J-STD-006

LATCH SPRING:  
BERYLLIUM COPPER PER  
ASTM B194 NICKEL PLATE  
PER SAE-AMS-2404

CURRENT CAPACITY:  
3 AMP MAX

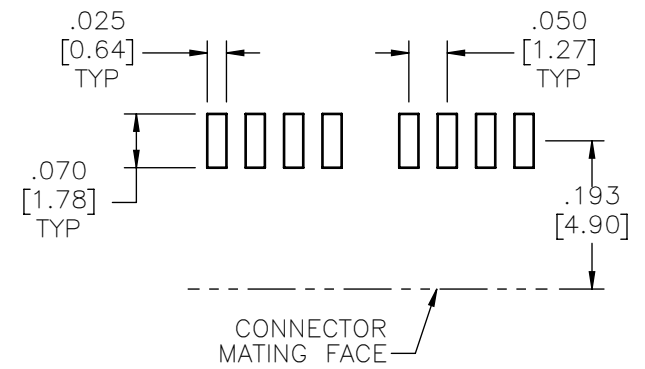
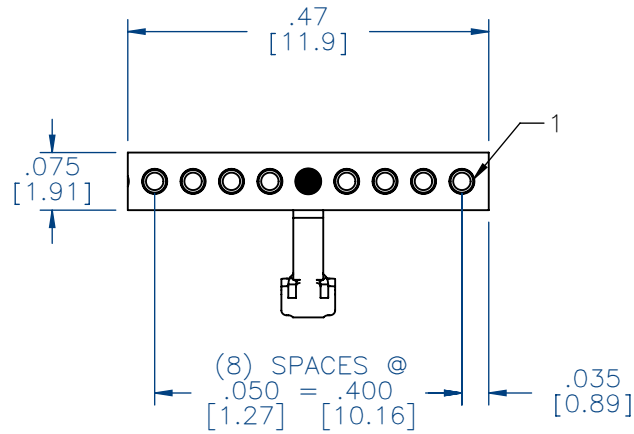
CONTACT RESISTANCE:  
26 MILLIOHMS (65mV) MAX  
@ 2.5 AMPS

PERFORMANCE:  
PRODUCT FAMILY TESTED  
TO AND PASSED THE  
PERFORMANCE  
SPECIFICATIONS OF TABLE  
VII OF MIL-DTL-83513

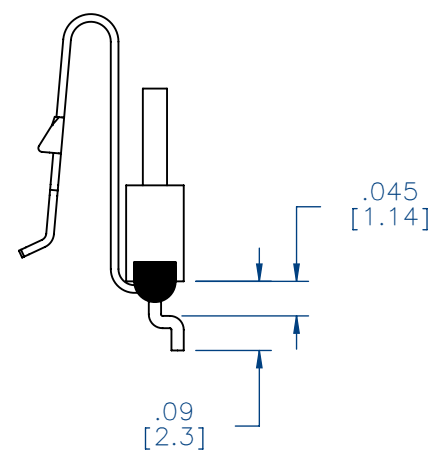
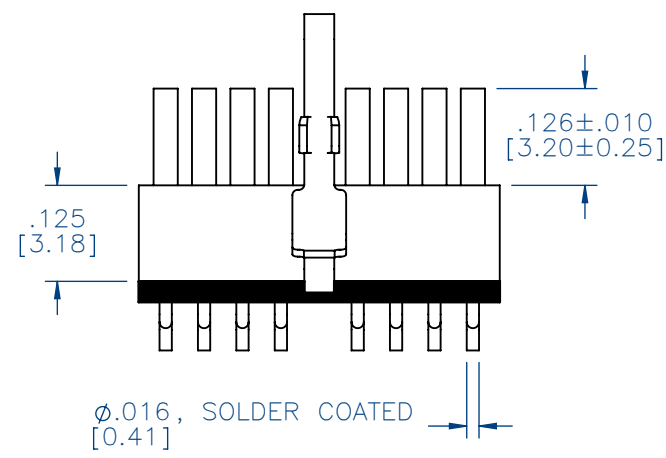
PART NO.	A25002-008	REV	ECO	DATE	APP
		A	99444	04-13-13	TLM



ACTUAL SIZE



SUGGESTED PAD LAYOUT



NOTE:  
DIMENSIONS IN [ ] ARE IN  
MILLIMETERS UNLESS  
OTHERWISE NOTED AND ARE  
FOR REFERENCE ONLY

SSB	THIRD ANGLE
	—TOLERANCES— UNLESS OTHERWISE NOTED
SLDW	DIMENSIONS IN INCHES
	2 PL DEC± .01
	3 PL DEC± .005
	4 PL DEC± .0005
	ANGLES ± 1°

THIS DRAWING CONTAINS CONFIDENTIAL AND PROPRIETARY INFORMATION WHICH IS THE PROPERTY OF OMNETICS CONNECTOR CORP. THIS DOCUMENT MAY NOT, IN WHOLE OR IN PART, BE DUPLICATED, OR DISCLOSED FOR ANY PURPOSE, WITHOUT WRITTEN PERMISSION FROM OMNETICS CONNECTOR CORP.	
DFTM. JMJ	DATE 04-01-13
CHK'D.	DATE
APP'D.	DATE
TITLE: (8) SOCKET FEMALE SINGLE ROW CONNECTOR W/LATCH	

**OMNETICS**  
CONNECTOR CORPORATION  
7260 COMMERCE CIRCLE EAST  
MINNEAPOLIS, MN 55432  
WWW.OMNETICS.COM

CAGE CODE 61873
DWG NO. A25002-008
SHEET 1 OF 1
SCALE: 4:1
REV A