

MATERIALS & SPECIFICATIONS

INSULATOR:
THERMOPLASTIC PER MIL-
M-24519, TYPE GLCP-30F
OR TYPE GST-40F

CONTACT:
COPPER ALLOY PER MIL-
DTL-83513, GOLD PLATED
PER ASTM B488, (HARD
GOLD) TYPE II CODE C
CLASS 1.27

TERMINATION:
SOLDER PER J-STD-006

LATCH SPRING:
BERYLLIUM COPPER PER
ASTM B194 NICKEL PLATE
PER SAE-AMS-2404

CURRENT CAPACITY:
3 AMP MAX

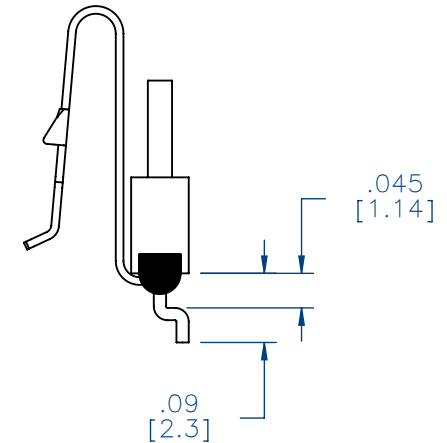
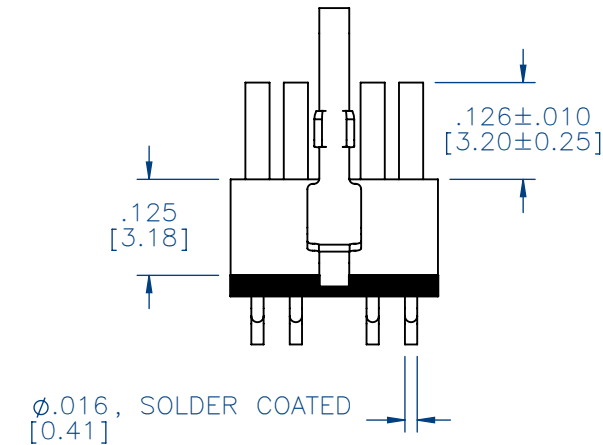
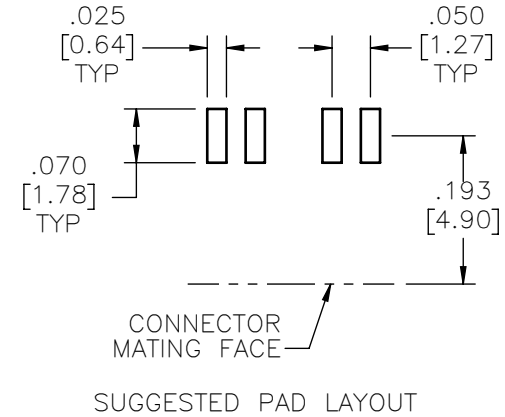
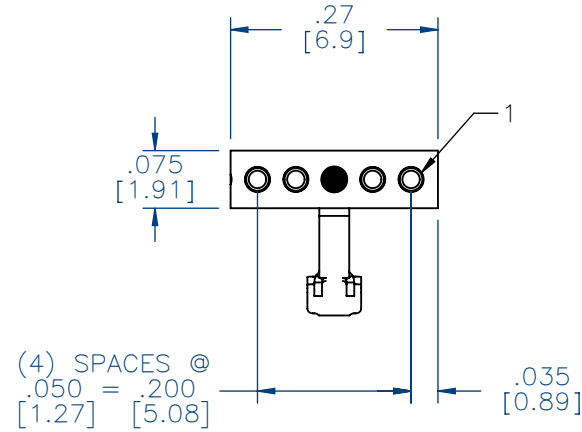
CONTACT RESISTANCE:
26 MILLIOHMS (65mV) MAX
@ 2.5 AMPS

PERFORMANCE:
PRODUCT FAMILY TESTED
TO AND PASSED THE
PERFORMANCE
SPECIFICATIONS OF TABLE
VII OF MIL-DTL-83513

PART NO.	A25002-004	REV	ECO	DATE	APP
		A	99444	04-13-13	TLM



ACTUAL SIZE



NOTE:
DIMENSIONS IN [] ARE IN
MILLIMETERS UNLESS
OTHERWISE NOTED AND ARE
FOR REFERENCE ONLY

SSB	THIRD ANGLE ϕ ∇
	-TOLERANCES-
SLDW	UNLESS OTHERWISE NOTED
	DIMENSIONS IN INCHES
	2 PL DEC ± .01
	3 PL DEC ± .005
	4 PL DEC ± .0005
	ANGLES ± 1°

THIS DRAWING CONTAINS CONFIDENTIAL AND PROPRIETARY INFORMATION WHICH IS THE PROPERTY OF OMNETICS CONNECTOR CORP. THIS DOCUMENT MAY NOT, IN WHOLE OR IN PART, BE DUPLICATED, OR DISCLOSED FOR ANY PURPOSE, WITHOUT WRITTEN PERMISSION FROM OMNETICS CONNECTOR CORP.	
DFTM. JMJ	DATE 04-01-13
CHK'D.	DATE
APP'D.	DATE
TITLE: (4) SOCKET FEMALE SINGLE ROW CONNECTOR W/LATCH	

OMNETICS
CONNECTOR CORPORATION
7260 COMMERCE CIRCLE EAST
MINNEAPOLIS, MN 55432
WWW.OMNETICS.COM

CAGE CODE 61873	
DWG NO. A25002-004	
SHEET 1 OF 1	REV A
SCALE: 4:1	