

MATERIALS & SPECIFICATIONS

PART NO.	A25001-018	REV	ECO	DATE	APP
		D	96884	07-14-10	TLM

INSULATOR:
POLYPHENYLENE SULFIDE
(PPS) PER MIL-M-24519,
TYPE GST 40F.

CONTACT:
COPPER ALLOY PER MIL-
DTL-83513, GOLD PLATED
PER ASTM B488, (HARD
GOLD) TYPE II CODE C
CLASS 1.27.

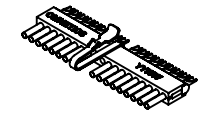
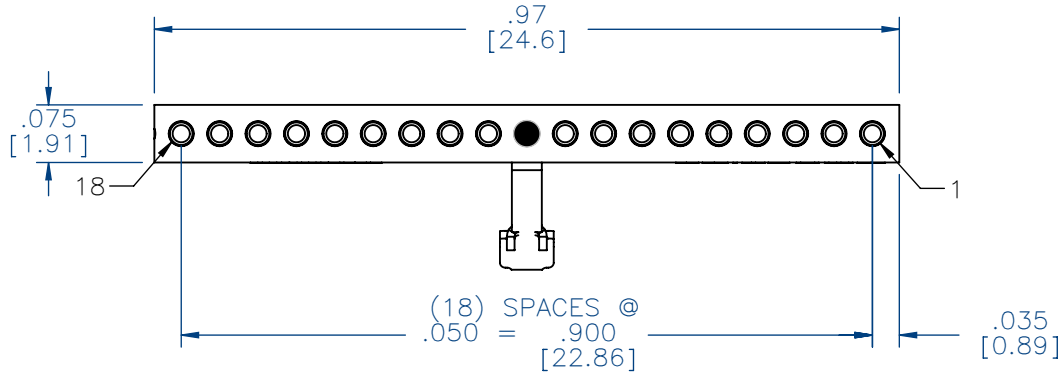
TERMINATION:
COPPER ALLOY PER MIL-
DTL-83513, GOLD PLATED
PER ASTM B488, (HARD
GOLD) TYPE II CODE C
CLASS 1.27.

LATCH SPRING:
BERYLLIUM COPPER PER
ASTM B194 NICKEL PLATE
PER AMS-C-26074..

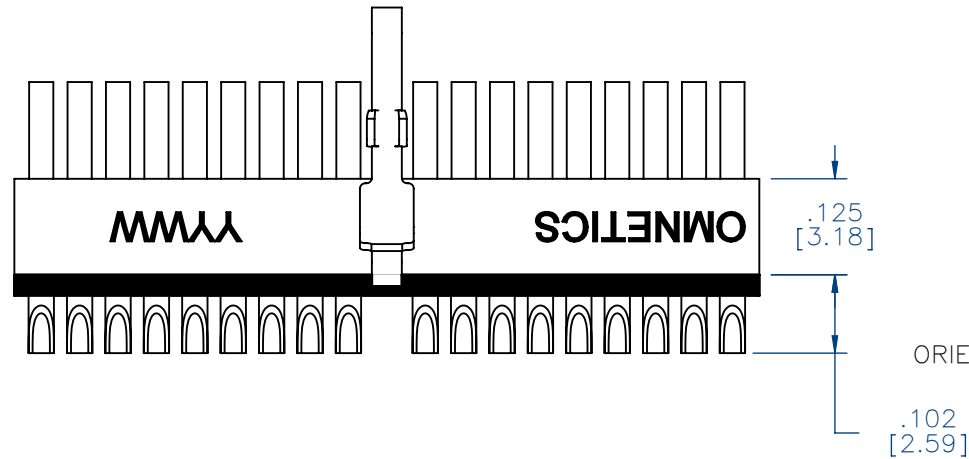
CURRENT CAPACITY:
3 AMP MAX.

CONTACT RESISTANCE:
26 MILLIOHMS (65mV) MAX
@ 2.5 AMPS.

PERFORMANCE:
PRODUCT FAMILY TESTED
TO AND PASSED THE
PERFORMANCE
SPECIFICATIONS OF TABLE
VII OF MIL-DTL-83513.



ACTUAL SIZE



REF: OMNETICS

SSB SLDW	THIRD ANGLE
	-TOLERANCES-
	UNLESS OTHERWISE NOTED
	DIMENSIONS IN INCHES
2	PL DEC ± .01
3	PL DEC ± .005
4	PL DEC ± .0005
	ANGLES ± 1°

THIS DRAWING CONTAINS CONFIDENTIAL AND PROPRIETARY INFORMATION WHICH IS THE PROPERTY OF OMNETICS CONNECTOR CORP. THIS DOCUMENT MAY NOT, IN WHOLE OR IN PART, BE DUPLICATED, OR DISCLOSED FOR ANY PURPOSE, WITHOUT WRITTEN PERMISSION FROM OMNETICS CONNECTOR CORP.	
DFTM. DEL	DATE 09-26-02
CHK'D.	DATE
APP'D.	DATE
TITLE: (18) SOCKET FEMALE SINGLE ROW CONNECTOR W/ LATCH	

OMNETICS
CONNECTOR CORPORATION
7260 COMMERCE CIRCLE EAST
MINNEAPOLIS, MN 55432
WWW.OMNETICS.COM

CAGE CODE	61873
DWG NO.	A25001-018
SHEET 1 OF 1	REV D
SCALE: 4:1	