

MATERIALS & SPECIFICATIONS

PART NO.	A25001-014	REV	ECO	DATE	APP
		D	96884	07-14-10	TLM

INSULATOR:  
POLYPHENYLENE SULFIDE  
(PPS) PER MIL-M-24519,  
TYPE GST 40F.

CONTACT:  
COPPER ALLOY PER MIL-  
DTL-83513, GOLD PLATED  
PER ASTM B488, (HARD  
GOLD) TYPE II CODE C  
CLASS 1.27.

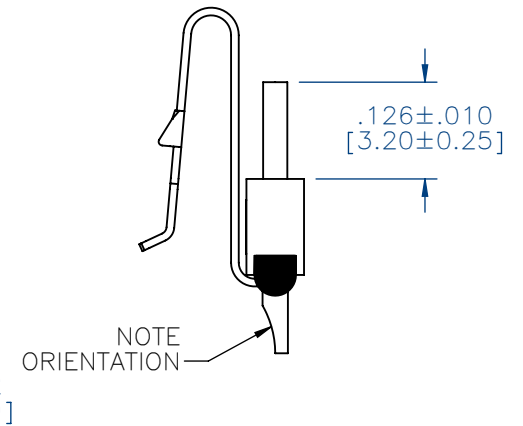
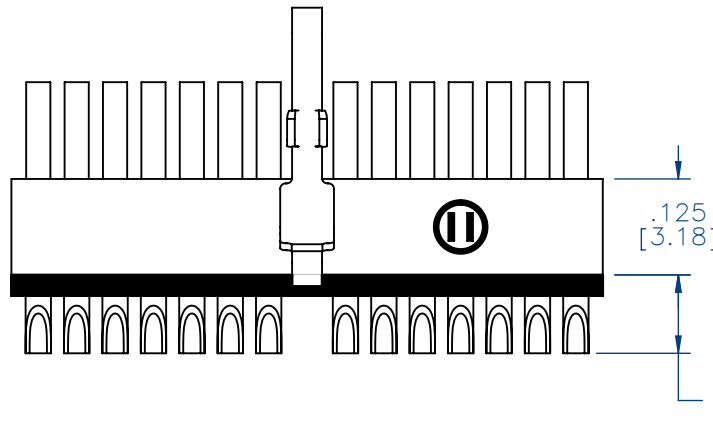
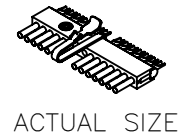
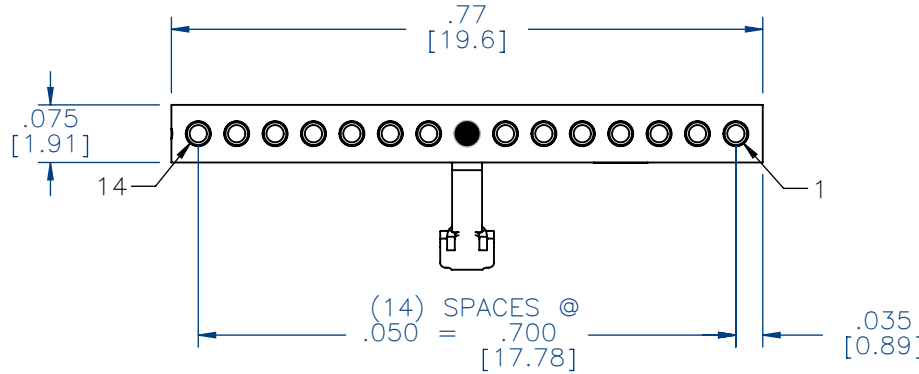
TERMINATION:  
COPPER ALLOY PER MIL-  
DTL-83513, GOLD PLATED  
PER ASTM B488, (HARD  
GOLD) TYPE II CODE C  
CLASS 1.27.

LATCH SPRING:  
BERYLLIUM COPPER PER  
ASTM B194 NICKEL PLATE  
PER AMS-C-26074..

CURRENT CAPACITY:  
3 AMP MAX.

CONTACT RESISTANCE:  
26 MILLIOHMS (65mV) MAX  
@ 2.5 AMPS.

PERFORMANCE:  
PRODUCT FAMILY TESTED  
TO AND PASSED THE  
PERFORMANCE  
SPECIFICATIONS OF TABLE  
VII OF MIL-DTL-83513.



REF: OMNETICS

SSB	THIRD ANGLE $\phi$ $\nabla$
	-TOLERANCES-
SLDW	UNLESS OTHERWISE NOTED
	DIMENSIONS IN INCHES
	2 PL DEC ± .01
	3 PL DEC ± .005
	4 PL DEC ± .0005
	ANGLES ± 1°

THIS DRAWING CONTAINS CONFIDENTIAL AND PROPRIETARY INFORMATION WHICH IS THE PROPERTY OF OMNETICS CONNECTOR CORP. THIS DOCUMENT MAY NOT, IN WHOLE OR IN PART, BE DUPLICATED, OR DISCLOSED FOR ANY PURPOSE, WITHOUT WRITTEN PERMISSION FROM OMNETICS CONNECTOR CORP.	
DFTM. DEL	DATE 09-26-02
CHK'D.	DATE
APP'D.	DATE
TITLE: (14) SOCKET FEMALE SINGLE ROW CONNECTOR W/ LATCH	

**OMNETICS**  
CONNECTOR CORPORATION  
7260 COMMERCE CIRCLE EAST  
MINNEAPOLIS, MN 55432  
WWW.OMNETICS.COM

CAGE CODE <b>61873</b>
DWG NO. <b>A25001-014</b>
SHEET 1 OF 1
SCALE: 4:1
REV D