

MATERIALS & SPECIFICATIONS

INSULATOR:  
POLYPHENYLENE SULFIDE (PPS)  
PER MIL-M-24519, TYPE GST  
40F.

CONTACT:  
BERYLLIUM COPPER PER ASTM  
B194, C17200. GOLD PLATED  
PER ASTM B488, (HARD GOLD)  
TYPE II CODE C CLASS 1.27.

TERMINATION:  
SOLDER PLATED PER AMS-P-  
81728.

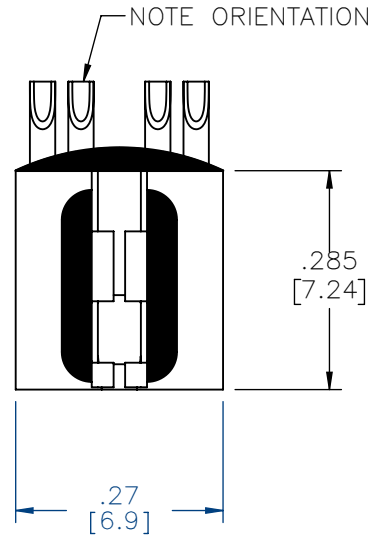
LATCH BOX:  
BERYLLIUM COPPER PER ASTM  
B194 NICKEL PLATE PER SAE-  
AMS-2404

CURRENT CAPACITY:  
3 AMP MAX.

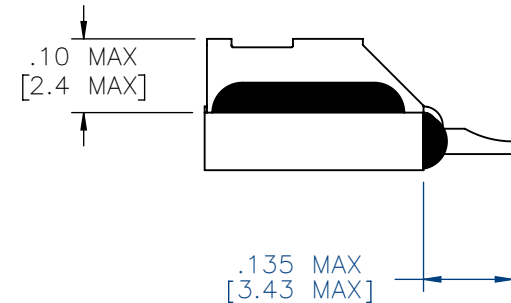
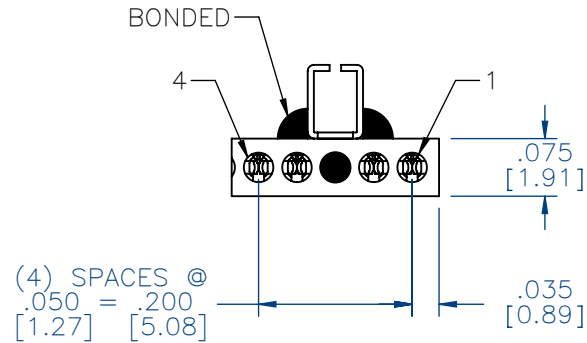
CONTACT RESISTANCE:  
26 MILLIOHMS (65mV) MAX @  
2.5 AMPS.

PERFORMANCE:  
PRODUCT FAMILY TESTED TO AND  
PASSED THE PERFORMANCE  
SPECIFICATIONS OF TABLE VII OF  
MIL-DTL-83513.

PART NO.	A24002-004	REV	ECO	DATE	APP
		B	103927	10-30-17	TLM



ACTUAL SIZE



NOTE:

DIMENSIONS IN [ ] ARE IN  
MILLIMETERS UNLESS  
OTHERWISE NOTED AND ARE  
FOR REFERENCE ONLY

PST SLDW	THIRD ANGLE	THIS DRAWING CONTAINS CONFIDENTIAL AND PROPRIETARY INFORMATION WHICH IS THE PROPERTY OF OMNETICS CONNECTOR CORP. THIS DOCUMENT MAY NOT, IN WHOLE OR IN PART, BE DUPLICATED, OR DISCLOSED FOR ANY PURPOSE, WITHOUT WRITTEN PERMISSION FROM OMNETICS CONNECTOR CORP.		<b>OMNETICS</b> CONNECTOR CORPORATION 7260 COMMERCE CIRCLE EAST MINNEAPOLIS, MN 55432 WWW.OMNETICS.COM	CAGE CODE <b>61873</b>		
	-TOLERANCES-	DFTM. JMJ	DATE 03-29-13		TITLE:	DWG NO. <b>A24002-004</b>	
	UNLESS OTHERWISE NOTED	CHK'D.	DATE		(4) PIN MALE	SHEET 1 OF 1	
	DIMENSIONS IN INCHES	APP'D.	DATE		SINGLE ROW CONNECTOR W/LATCH	REV B	SCALE: 4:1