

MATERIALS & SPECIFICATIONS

PART NO.	A22028-001	REV	ECO	DATE	APP
		D	98556	05-18-12	TLM

INSULATOR:
LIQUID CRYSTAL POLYMER (LCP) PER ASTM D5138.

CONTACT:
COPPER ALLOY PER MIL-DTL-83513. GOLD PLATE PER ASTM B488,
(HARD GOLD) TYPE II CODE C, CLASS 1.27.

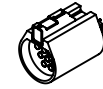
TERMINATION:
COPPER ALLOY PER MIL-DTL-83513 GOLD PLATED PER ASTM B488,
(HARD GOLD) TYPE II CODE C CLASS 1.27.

LATCH BOX:
BERYLLIUM COPPER PER ASTM B194 NICKEL PLATE PER AMS-C-26074.

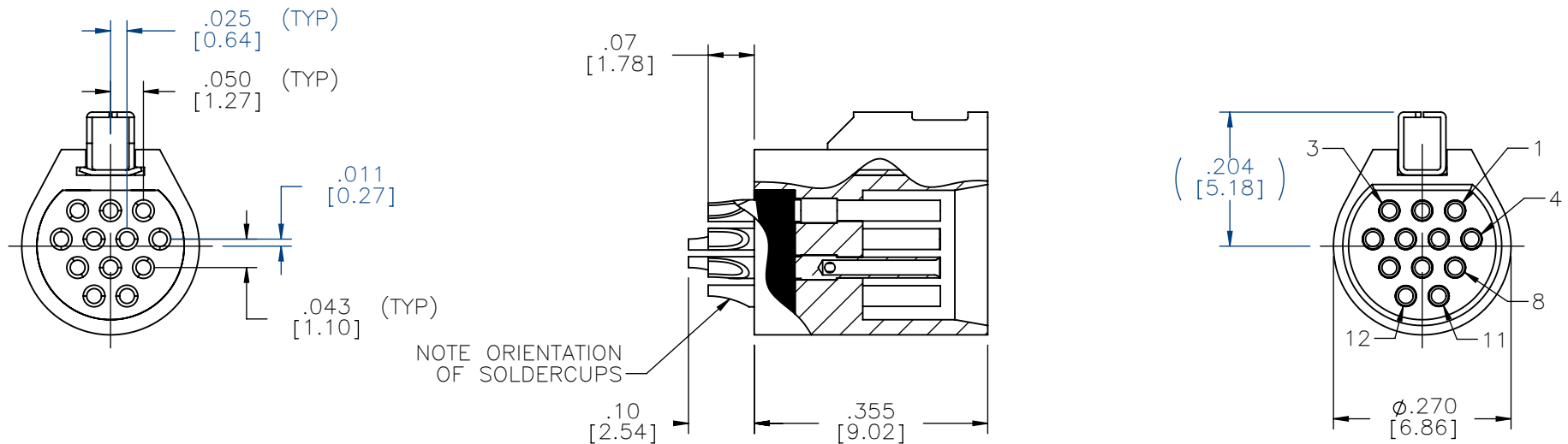
CURRENT CAPACITY:
3 AMP MAX.

CONTACT RESISTANCE:
26 MILLIOHMS (65mV) MAX @ 2.5 AMPS.

PERFORMANCE:
PRODUCT FAMILY TESTED TO AND PASSED THE PERFORMANCE
SPECIFICATIONS OF TABLE VII OF MIL-DTL-83513.



ACTUAL SIZE



RoHS

MCS	THIRD ANGLE	THIS DRAWING CONTAINS CONFIDENTIAL AND PROPRIETARY INFORMATION WHICH IS THE PROPERTY OF OMNETICS CONNECTOR CORP. THIS DOCUMENT MAY NOT, IN WHOLE OR IN PART, BE DUPLICATED, OR DISCLOSED FOR ANY PURPOSE, WITHOUT WRITTEN PERMISSION FROM OMNETICS CONNECTOR CORP.		 OMNETICS CONNECTOR CORPORATION 7260 COMMERCE CIRCLE EAST MINNEAPOLIS, MN 55432 WWW.OMNETICS.COM	CAGE CODE 61873	
	SLDW	-TOLERANCES- UNLESS OTHERWISE NOTED DIMENSIONS IN INCHES	DFTM. TEP		DATE	DWG NO. A22028-001
	2 PL DEC ± .01	DATE	10-24-07	TITLE:	SHEET 1 OF 1	
	3 PL DEC ± .005	DATE		(12) SOCKET FEMALE	REV	
	4 PL DEC ± .0005	DATE		MICRO CIRCULAR	D	
	ANGLES ± 1°	DATE		CONNECTOR W/ LATCH	SCALE: 4:1	