

MATERIALS & SPECIFICATIONS

| | | | | | |
|----------|------------|-----|-------|----------|-----|
| PART NO. | A22020-001 | REV | ECO | DATE | APP |
| | | C | 96877 | 07-13-10 | TLM |

INSULATOR:
LIQUID CRYSTAL POLYMER (LCP) PER ASTM D5138.

CONTACT:
COPPER ALLOY PER MIL-DTL-83513. GOLD PLATE PER ASTM B488, (HARD GOLD) TYPE II CODE C, CLASS 1.27

TERMINATION:
26 AWG (7-34) TYPE E PER NEMA HP3, COLOR CODED PER TABLE.

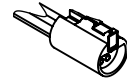
LATCH BOX:
BERYLLIUM COPPER PER ASTM B194 NICKEL PLATE PER AMS-C-26074.

CURRENT CAPACITY:
3 AMP MAX.

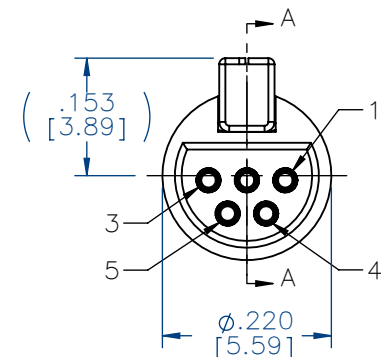
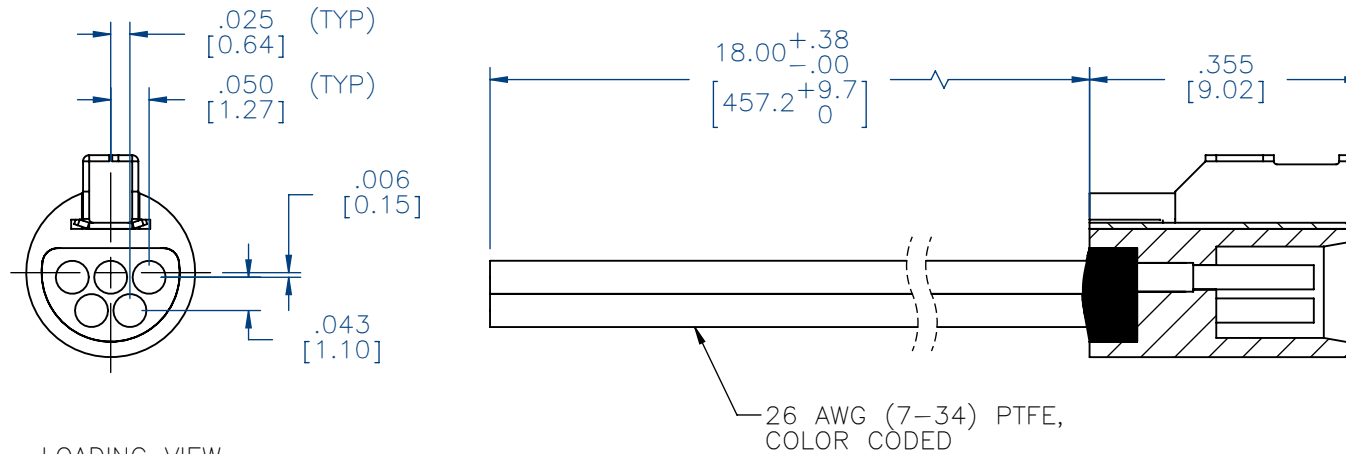
CONTACT RESISTANCE:
26 MILLIOHMS (65mV) MAX @ 2.5 AMPS.

PERFORMANCE:
PRODUCT FAMILY TESTED TO AND PASSED THE PERFORMANCE SPECIFICATIONS OF TABLE VII OF MIL-DTL-83513.

| SOCKET # | COLOR |
|----------|--------|
| 1 | BLACK |
| 2 | BROWN |
| 3 | RED |
| 4 | ORANGE |
| 5 | YELLOW |



ACTUAL SIZE
EXCLUDING WIRE LENGTH



LOADING VIEW
LESS EPOXY

SECTION A-A

INTERNAL USE ONLY
USE MFG LOADING
PROCEDURE MC-5S

REF: OMNETICS

| | | | | | | |
|------|--|--|------------------|---|---|------------------------|
| MCS | THIRD ANGLE | THIS DRAWING CONTAINS CONFIDENTIAL AND PROPRIETARY INFORMATION WHICH IS THE PROPERTY OF OMNETICS CONNECTOR CORP. THIS DOCUMENT MAY NOT, IN WHOLE OR IN PART, BE DUPLICATED, OR DISCLOSED FOR ANY PURPOSE, WITHOUT WRITTEN PERMISSION FROM OMNETICS CONNECTOR CORP. | DATE 05-15-07 | TITLE: (5) SOCKET FEMALE MICRO CIRCULAR CONNECTOR W/ LATCH | CONNECTOR CORPORATION 7260 COMMERCE CIRCLE EAST MINNEAPOLIS, MN 55432 WWW.OMNETICS.COM | CAGE CODE 61873 |
| | UNLESS OTHERWISE NOTED | | | | | DATE |
| SLDW | DIMENSIONS IN INCHES | DFTM. TEP | DATE | APP'D. | DATE | SHEET 1 OF 1 |
| | 2 PL DEC ± .01 3 PL DEC ± .005 4 PL DEC ± .0005 ANGLES ± 1° | CHK'D. | DATE | | | REV C |
| | | | | | | SCALE: 4:1 |