

MATERIAL & SPECIFICATIONS

PART NO.	A22002-001	REV	ECO	DATE	APP
		F	102546	05-02-16	TLM

INSULATOR:
LIQUID CRYSTAL POLYMER (LCP) PER ASTM D5138.

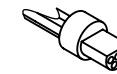
CONTACT:
BERYLLIUM COPPER PER ASTM B194, C17200. GOLD PLATED PER
ASTM B488, (HARD GOLD) TYPE II CODE C CLASS 1.27.

TERMINATION:
26 AWG (7-34) TYPE E PER NEMA HP3, COLOR CODED PER TABLE.

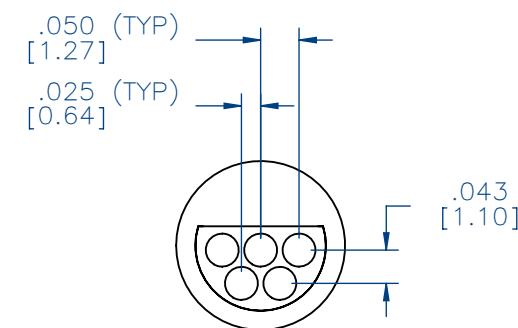
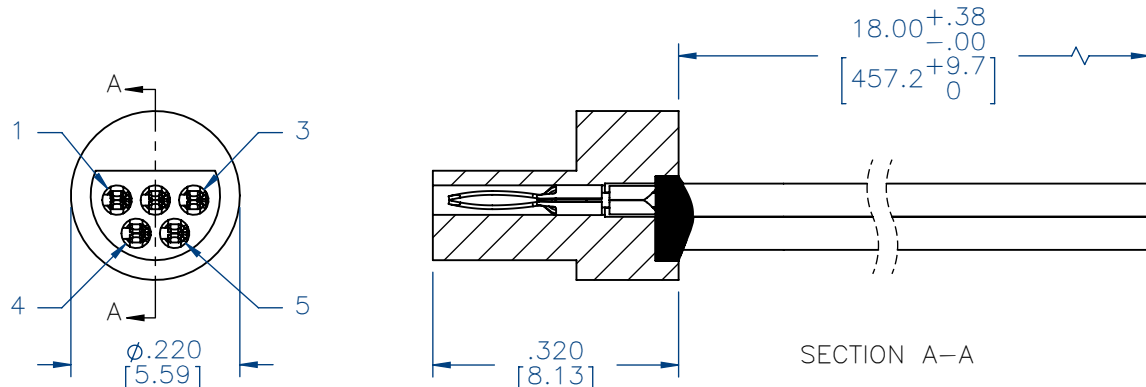
CURRENT CAPACITY:
3 AMP MAX.

CONTACT RESISTANCE:
26 MILLIOHMS (65 mv) MAX @ 2.5 AMPS

PERFORMANCE:
PRODUCT FAMILY TESTED TO AND PASSED THE PERFORMANCE
SPECIFICATIONS OF TABLE VII OF MIL-DTL-83513



ACTUAL SIZE
EXCLUDING WIRE LENGTH



PIN #	COLOR
1	BLACK
2	BROWN
3	RED
4	ORANGE
5	YELLOW

INTERNAL USE ONLY
USE MFG LOADING
PROCEDURE MC-5P



NOTE:

DIMENSIONS IN [] ARE IN MILLIMETERS UNLESS OTHERWISE NOTED AND ARE FOR REFERENCE ONLY

MCP	THIRD ANGLE	THIS DRAWING CONTAINS CONFIDENTIAL AND PROPRIETARY INFORMATION WHICH IS THE PROPERTY OF OMNETICS CONNECTOR CORP. THIS DOCUMENT MAY NOT, IN WHOLE OR IN PART, BE DUPLICATED, OR DISCLOSED FOR ANY PURPOSE, WITHOUT WRITTEN PERMISSION FROM OMNETICS CONNECTOR CORP.	DATE 02-28-01	TITLE: (5) PIN MALE CIRCULAR CONNECTOR	CAGE CODE 61873	DWG NO. A22002-001	SHEET 1 OF 1	REV F
	—TOLERANCES— UNLESS OTHERWISE NOTED DIMENSIONS IN INCHES							
SLDW	2 PL DEC ± .01 3 PL DEC ± .005 4 PL DEC ± .0005 ANGLES ± 1°	DFTM. PER	DATE		CONNECTOR CORPORATION 7260 COMMERCE CIRCLE EAST MINNEAPOLIS, MN 55432 WWW.OMNETICS.COM			
		CHK'D.	DATE		SCALE: 4:1			
		APP'D.	DATE					