

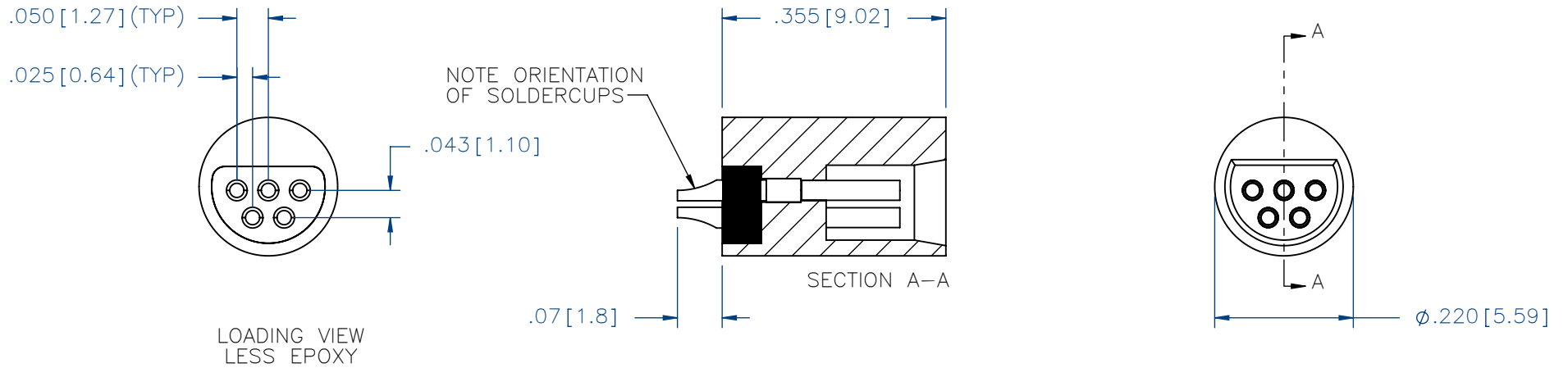
MATERIALS & SPECIFICATIONS

PART NO.	A22001-001	REV	ECO	DATE	APP
		F	98556	05-18-12	TLM

INSULATOR: LIQUID CRYSTAL POLYMER (LCP) PER ASTM D5138.
 CONTACT: COPPER ALLOY PER MIL-DTL-83513. GOLD PLATED PER
 ASTM B488, (HARD GOLD) TYPE II CODE C CLASS 1.27
 TERMINATION: COPPER ALLOY PER MIL-DTL-83513. GOLD PLATED PER
 ASTM B488, (HARD GOLD) TYPE II CODE C CLASS 1.27
 CURRENT CAPACITY 3 AMP MAX.
 CONTACT RESISTANCE 26 MILLIOHMS (65mV) MAX @ 2.5 AMPS.
 PERFORMANCE: PRODUCT FAMILY TESTED TO AND PASSED THE PERFORMANCE
 SPECIFICATIONS OF TABLE VII OF MIL-DTL-83513.



ACTUAL SIZE



RoHS

MCS	THIRD ANGLE	THIS DRAWING CONTAINS CONFIDENTIAL AND PROPRIETARY INFORMATION WHICH IS THE PROPERTY OF OMNETICS CONNECTOR CORP. THIS DOCUMENT MAY NOT, IN WHOLE OR IN PART, BE DUPLICATED, OR DISCLOSED FOR ANY PURPOSE, WITHOUT WRITTEN PERMISSION FROM OMNETICS CONNECTOR CORP.		CAGE CODE 61873
	—TOLERANCES— UNLESS OTHERWISE NOTED	DFTM. PER	DATE	
SLDW	DIMENSIONS IN INCHES	2 PL DEC ± .01	02-28-01	A22001-001
	3 PL DEC ± .005	CHK'D.	DATE	
	4 PL DEC ± .0005	APP'D.	DATE	SHEET 1 OF 1
	ANGLES ± 1°			REV F

OMNETICS
 CONNECTOR CORPORATION
 7260 COMMERCE CIRCLE EAST
 MINNEAPOLIS, MN 55432
 WWW.OMNETICS.COM

SCALE: 4:1